

97187 View Port Inspection Cover

The Shand & Jurs Model 97187 View Port Inspection Cover is designed to provide a visual inspection of the inside of a tank or digester's contents while maintaining the gas-tight integrity of the system.

The 97187 is configured with a glass window that is mounted in place with quick release bolts and nuts that simplify the maintenance of the glass.

A two-sided neoprene wiper includes a lever handle to facilitate the interior cleaning of the observation window from condensation and debris. An optional cleaning solvent reservoir and hand pump are also available.

Materials of construction for the body, stub and cover is Aluminum, Carbon Steel or Stainless Steel with a heavy duty glass observation window. Aluminum and stainless steel weatherhoods are available with two quick release bolts. All internal components are stainless steel.

The maximum working pressure is 1 PSIG (6.9kPa).

Other sizes and alternate materials of construction are available upon request.



Features

- Easy Viewing of Vessel Contents
- Gas Tight
- Light Weight, Hinged Cover for Glass Protection
- Stainless Steel, Aluminum, and Carbon Steel Construction Available
- Maximum Working Pressure 1 PSIG
- Illumination and Sprayer Options

Specifications

Base:

Aluminum, Steel or Stainless Steel

Maximum Pressure:

1 PSIG

Cover:

Aluminum or Stainless Steel

Wipers/Gaskets:

Neoprene (Buna-N available)

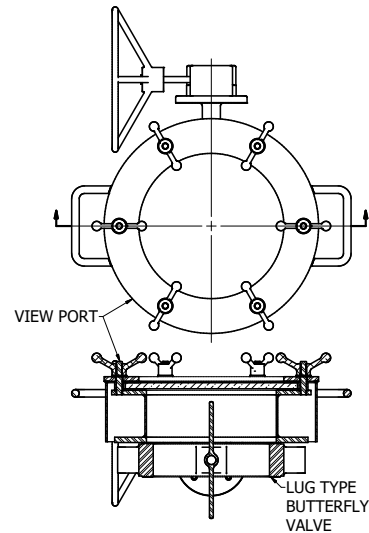
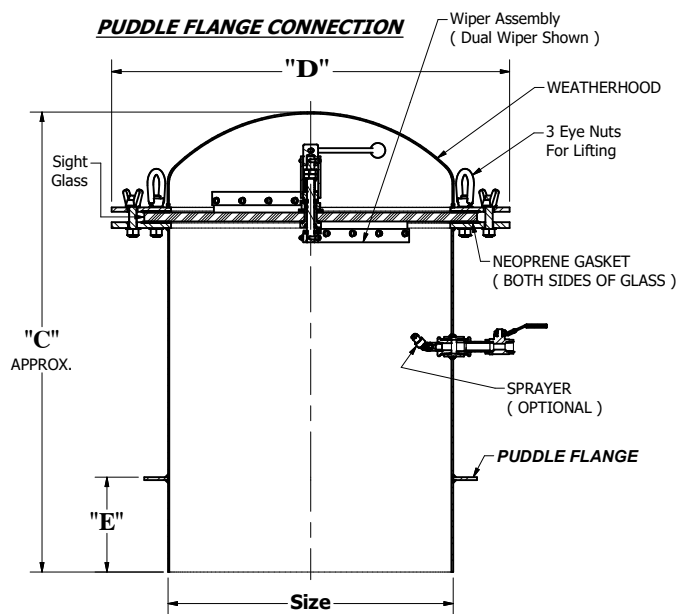
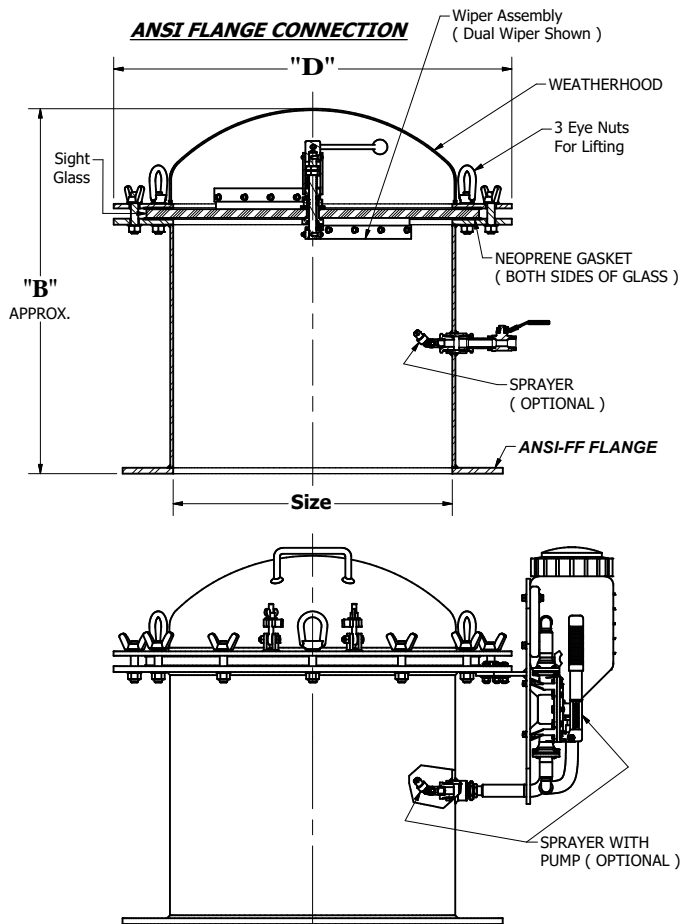
Window:

Tempered Glass or Polycarbonate

Hardware:

Stainless Steel

Outline Dimensions



SPECIAL LUG-TYPE BUTTERFLY VALVE AND VIEW PORT CONSTRUCTION AVAILABLE. CONSULT FACTORY.

Size	"B"	"C"	"D"	"E"
8 [200]	23 3/8 [594]	25 1/2 [648]	14 [356]	4 [102]
10 [255]	23 3/8 [594]	25 1/2 [648]	16 [406]	4 [102]
12 [305]	23 3/8 [594]	25 1/2 [648]	19 [483]	4 [102]
16 [406]	28 3/4 [730]	33 3/4 [857]	22 1/2 [572]	6 [152]
20 [508]	29 3/4 [756]	36 3/4 [933]	26 [660]	7 [178]
24 [610]	30 3/4 [781]	38 3/4 [984]	33 1/2 [851]	8 [203]

All measurements are (Inches [mm])

All designs subject to change. Certified dimensions and specifications available upon request.

97187 Ordering Guide

Model Number Selection

The model number will have a base number **97187** followed by 5 digit numbers. These digits will represent 5 sets of option tables.

97187 - AB - CD - E

Table A - Hardware

Option A	Hardware
1	Stainless Steel
2	Stainless Steel Quick Release
3	316 Stainless Steel Quick Release

Table B - Flange Connection*

Size	Connection	
	Option B	Option B
	Pipe Stub with Puddle Flange	ANSI**
16"	1	A
20"	2	B
24"	3	C
8"	4	D
10"	5	E
12"	6	F

*Consult factory for special size or alternate flange drilling

**Standard mounting flange is 150 lb. ANSI Flat Face.

Table C - Body Material

Option C	Body Material
0	Aluminum
1	Carbon Steel with 304 Hood
2	304 Stainless Steel
3	316 Stainless Steel
4	316L Stainless Steel

Table D - Window, Gasket Material & Wiper

Option D	Window / Gasket / Wiper
0	Tempered Glass / Neoprene / No Wiper
1	Tempered Glass / Neoprene / Dual Wiper
2	Tempered Glass / Neoprene / Interior Wipe Only
3	Polycarbonate / Neoprene / No Wiper
4	Polycarbonate / Neoprene / Dual Wiper
5	Polycarbonate / Neoprene / Interior Wiper Only

Option E	Sprayer Accessories
1	None
2	Sprayer
3	Sprayer with Pump