

95220 Clamping Manhole Cover

The Shand & Jurs 95220 Clamping Manhole Cover is designed as an economical solution that provides ready access to product storage tanks by means of an easily opened-dome hinged cover.

The design of the 95220 employs a threaded clamping handle along with a flexible o-ring seal, affording a tight seal between the pallet and the corrosion resistant seat. This feature minimizes vapor leakage and provides for a watertight seal. All sizes have flat face, drilled flanges. An undrilled flange version and other special construction types are also available.

For tank gauging, access or examination, the entire lightweight hinged dome may be lifted open in a matter of seconds offering clear passage through the unobstructed opening. Unscrew the wing nuts and lift the cover. The Manhole Cover is provided with a self-locking foot pedal and safety locking pins for security against unexpected closure of the cover.

Materials of Construction:

Base:

713 Tenzaloy

Cover:

Aluminum

Seal:

NBR (Nitrile-Butadiene) or CR = Chloroprene (Neoprene)
(Other materials available)

Clamping Hardware:

Brass, Bronze or Stainless Steel

Interior:

Sealed with Coal Tar Epoxy



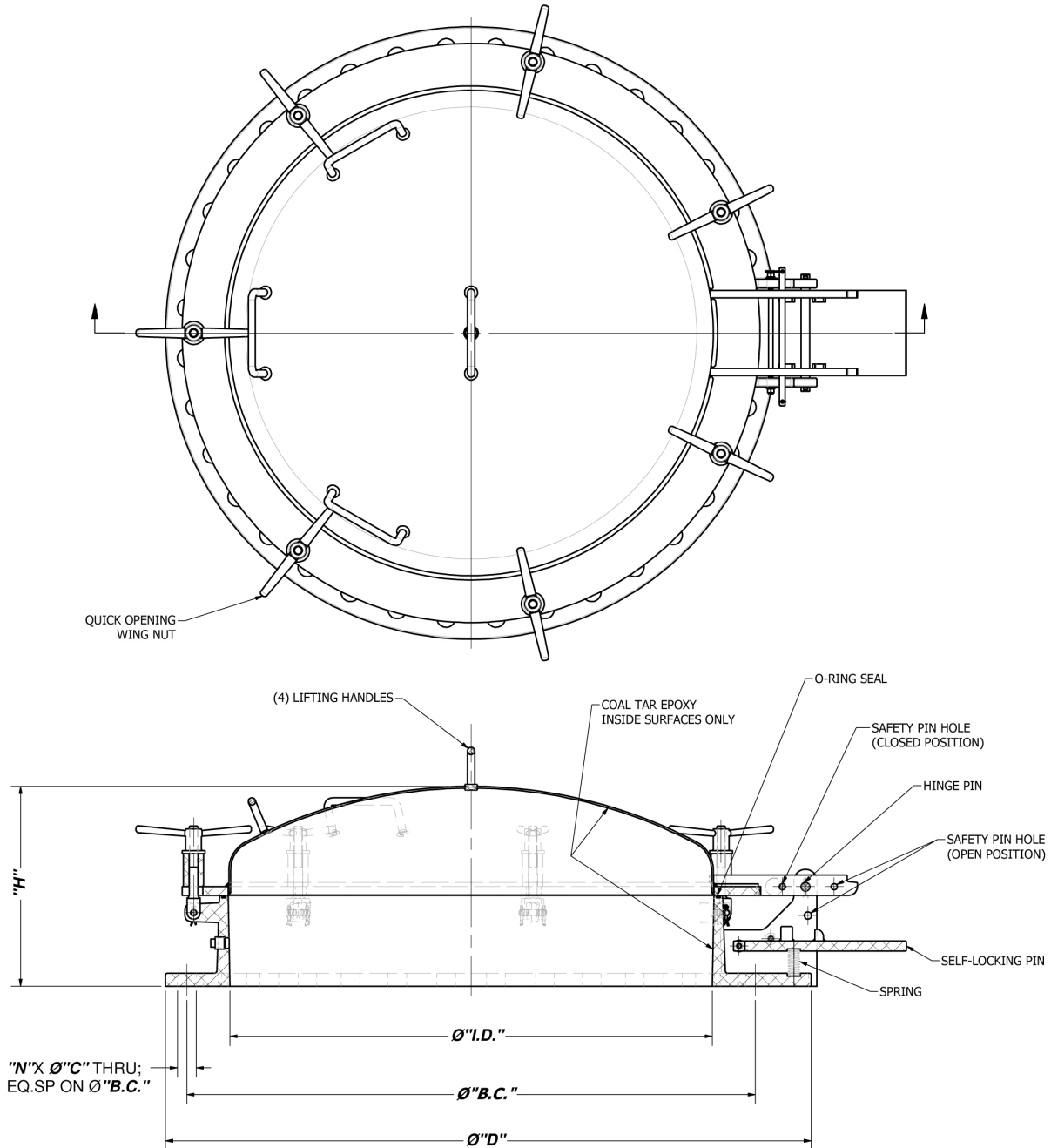
Features

- Easy access to storage tanks for maintenance and inspection
- 30", 36", 42", 48", 54" and 60" sizes
- Class B Flange / AWWA Connection
- Lightweight Dome
- Gas-tight and watertight seal
- Self-Locking Pedal
- Maximum working pressure of 1 psig
- Materials of construction include aluminum base and cover with brass, bronze or stainless steel clamps

95220 Clamping Manhole Cover



Outline Dimensions:



Size	ID	C	N	B.C.	D	H
30"	30"	1 1/8"	28	33 3/4"	36 1/2"	17
36"	36"	1 1/8"	32	42 1/4"	45 1/2"	17
42"	42"	1 1/8"	36	49 1/2"	53	17 3/8"
48"	48"	1 1/8"	44	56	59 1/2"	19 1/2"
54"	54"	1 3/8"	44	62 3/4"	66 1/4"	24
60"	60"	1 1/8"	52	69 1/4"	73 1/4"	27

All designs subject to change. Certified dimensions and specifications available upon request.



5911 Butterfield Road Hillside, IL 60162 • tel: (708) 236-6000 • fax: (708) 236-6006
sales@ljtechnologies.com • www.ljtechnologies.com • ISO 9001: 2015 Certified

Rev: 95220-3H

95220 Ordering Guide

Model Number Selection

The model number will consist of a base number **95220** followed by 4 digit numbers. These digits will represent 3 option tables.

95220 - AB - CD

Ordering Information

Specify:

1. Model 95220 Clamping Manhole Cover
2. Size Required
3. Material
4. Connection Type
5. Type of Product Stored
6. For Other than Standard Materials, Specify as Required
7. Specify CE for Ordinary EU Locations use 95220C



Table A - Material

Option A	Base/Cover Material
0	713 Tenzaloy Base and Aluminum Cover, Sealed with Coal Tar Epoxy Interior

Table C - Seal Material

Option C	Seal
0	CR
1	NBR

Table B - Size & Flange Connection

Option B	Size (Inches)	Aluminum Base*
1	42	AWWA Class B
2	48	AWWA Class B
3	54	AWWA Class B
4	60	AWWA Class B
5	30	AWWA Class B
6	36	AWWA Class B

Table D - Clamping Hardware

Option D	Clamping Hardware
1	Brass
2	Stainless Steel
3	Bronze

Optional Materials available. Consult Factory.

* ANSI B16.1 / AWWA Class B Flange