

94201 Emergency Vent and Manhole Cover

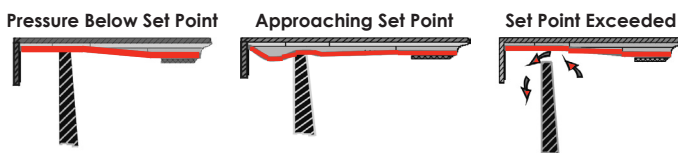
The Shand & Jurs 94201 Emergency Vent and Manhole Cover with "Expanda-Seal" is an economical solution to present day emergency venting requirements. It is designed to relieve excessive internal pressure in liquid storage tanks while providing excellent protection against costly tank roof rupture repair. The "Expanda-Seal" design also decreases product leakage below actual set point. The standard design is available in 20" & 24" flange.

The Model 94201 is available with low base for liquid overflow. When specified, elongated guides and special stops can be provided to limit pallet lift. The pallet guide is deep enough to assure proper reseating of pallet after pressure relief at lower overpressures. Pallet will reseat when tank pressure drops below set pressure.

For tank venting or examination, the pallet may be removed from its base offering a clear unobstructed passage. A retaining cable is provided to attach the pallet to the base.

Expanda-Seal

Shand & Jurs "Expanda-Seal" option is available on all pressure pallet assemblies. This feature significantly reduces leakage. The ballooning effect of the Teflon diaphragm effectively seals the valve.



Features

- Easy installation, convenient handling
- "Expanda-Seal" design for applications where low leakage rates are a requirement
- 20" opening with 20" and 24" flanges
- 24" opening with 24" flange
- API 650 or 150 lb ANSI compatibility
- EN1092-1 sizes available
- Materials include Aluminum, Steel & 316 Stainless Steel

Specifications

Pressure Setting:

Pressure Setting: Ranges from 1.0 oz/in² to 5.78 oz/in²

Materials of Construction

Base:

Carbon Steel, Aluminum or 316 Stainless Steel

Diaphragm/Back-Up Disc:

FEP (Fluorinated Ethylene Propylene), Fiber (Non-Asbestos Fiber), GPTFE (Glass Filled Teflon)

Diaphragm Seat:

Same as Base except 316SS overlay on carbon steel base.

Pallet, Clamp Ring, Guide:

Aluminum, Steel or 316 Stainless Steel

Alternate materials of construction available on request.

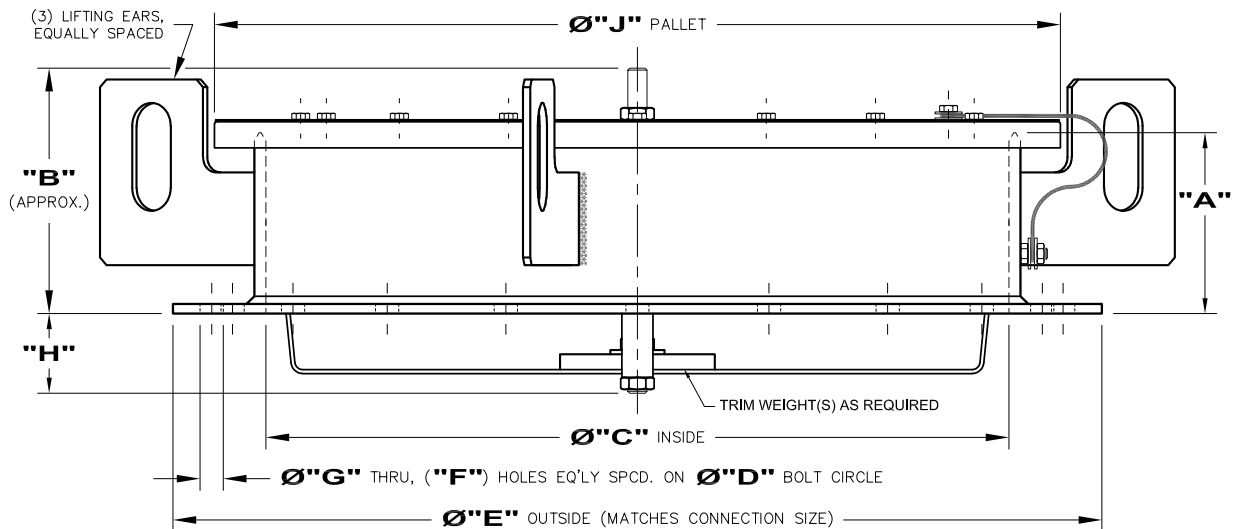
FEP/Fiber, (Temperature Range: -40° F to +250° F)

FEP/GPTFE, (Temperature Range: -65° F to +400° F)

Dimensions

Vent Size	Connection Matching Size	"B" Note 1	"C"	"D" Bolt Circle	"E"	"F" Holes	"G"	"H"	"J" Pallet
20"	20" 125 lb. /150 lb. ANSI	9 1/4	20	25	27 1/2	20	1 1/4	1 1/4	23 5/16
20"	24" 125 lb. /150 lb. ANSI	9 1/4	20	29 1/2	32	20	1 3/8	1 1/4	23 5/16
24"	24" 125 lb. /150 lb. ANSI	9 1/4	24	29 1/2	32	20	1 3/8	1 1/4	27 5/16
20"	20" API Roof Manhole	9 1/4	20	23 1/2	26	16	3/4	1 1/4	23 5/16
20"	24" API Roof Manhole	9 1/4	20	27 1/2	30	20	3/4	1 1/4	23 5/16
24"	24" API Roof Manhole	9 1/4	24	27 1/2	30	20	3/4	1 1/4	27 5/16

Note 1: "A" = 6 1/4" for High and Limited Lift Base
 "A" = 2 1/8" for Low Base
 "H" = 3 1/2" for Low Base



All designs subject to change. Certified dimensions and specifications available upon request.

94201 Ordering Guide

Model Number Selection

The model number will consist of a base number **94201** followed by 8 digit numbers. These digits will represent 4 option tables.

94201 - AB - CD - EF - GH

Ordering Information

Specify:

1. Model 94201 Emergency Vent & Manhole Cover
2. Size and Body Material
3. Pressure Set Point
4. Pallet Material
5. Tank Product and Temperature
6. Flange Type
7. Cleaning
8. To specify CE for Ordinary EU Locations use Table G3, G4, or G5
9. ATEX Certification for II 1 G Ex h II B T1...T6 Ga EU Locations, use Tables G6, G7, or G8



Table AB-CD - Base Selection, Material & Size

Option AB-CD	Size	Material & Style	Pallet Material
01-X1	20"	Standard Base Steel	Steel, No Aluminum Wetted Parts
01-X2	20"	Standard Base Steel	Aluminum Standard
01-X3	20"	Standard Base Steel	316 Stainless Steel Wetted Parts
02-X2	20"	Base Aluminum	Aluminum Standard
03-X3	20"	Base 316 Stainless Steel	316 Stainless Steel Wetted Parts
04-X1	20"	Limited Lift Steel	Steel, No Aluminum Wetted Parts
04-X2	20"	Limited Lift Steel	Aluminum Standard
04-X3	20"	Limited Lift Steel	316 Stainless Steel Wetted Parts
05-X1	20"	Low Base Steel	Steel, No Aluminum Wetted Parts
05-X2	20"	Low Base Steel	Aluminum Standard
05-X3	20"	Low Base Steel	316 Stainless Steel Wetted Parts
06-X1	20"X24"	Standard Base Steel	Steel, No Aluminum Wetted Parts
06-X2	20"X24"	Standard Base Steel	Aluminum Standard
06-X3	20"X24"	Standard Base Steel	316 Stainless Steel Wetted Parts
07-X2	20"X24"	Base Aluminum	Aluminum Standard
08-X3	20"X24"	Base 316 Stainless Steel	316 Stainless Steel Wetted Parts
09-X1	20"X24"	Limited Lift Steel	Steel, No Aluminum Wetted Parts
09-X2	20"X24"	Limited Lift Steel	Aluminum Standard
09-X3	20"X24"	Limited Lift Steel	316 Stainless Steel Wetted Parts
10-X1	20"X24"	Low Base Steel	Steel, No Aluminum Wetted Parts
10-X2	20"X24"	Low Base Steel	Aluminum Standard
10-X3	20"X24"	Low Base Steel	316 Stainless Steel Wetted Parts
18-X3	20"X24"	Low Base 316 Stainless Steel	316 Stainless Steel Wetted Parts

Table AB-CD - Base Selection - Material & Size Cont.

Option AB-CD	Size	Material & Style	Pallet Material
21-X1	24"	Standard Base Steel	Steel, No Aluminum Wetted Parts
21-X2	24"	Standard Base Steel	Aluminum Standard
21-X3	24"	Standard Base Steel	316 Stainless Steel Wetted Parts
22-X2	24"	Base Aluminum	Aluminum Standard
23-X3	24"	Base 316 Stainless Steel	316 Stainless Steel Wetted Parts
24-X1	24"	Limited Lift Steel	Steel, No Aluminum Wetted Parts
24-X2	24"	Limited Lift Steel	Aluminum Standard
24-X3	24"	Limited Lift Steel	316 Stainless Steel Wetted Parts
25-X1	24"	Low Base Steel	Steel, No Aluminum Wetted Parts
25-X2	24"	Low Base Steel	Aluminum Standard
25-X3	24"	Low Base Steel	316 Stainless Steel Wetted Parts
26-X3	24"	Low Base 316 Stainless Steel	316 Stainless Steel Wetted Parts

Option C = 0, FEP/Fiber, C = 1, FEP/GPTFE
 Note: Consult Factory for other seal type. Specify temperature.

Table EF - Pressure Range - Weight Material

Range oz/in ²	Option EF Steel	Option EF SS	Option EF Lead
1.0 - 1.61	01	11	21
1.62 - 2.23	02	12	22
2.24 - 2.85	03	13	23
2.86 - 3.35	04	14	24
3.36 - 3.97	05	15	25
3.98 - 4.59	06	16	26
4.60 - 5.21	07	17	27
5.22 - 5.78	08	18	28

*Consult factory for higher ranges.

Table G - ATEX/CE & Cleaning

Option G	ATEX / CE and Cleaning
0	Standard Cleaning
1	LOX
2	LIN
3	CE / Standard Cleaning
4	CE / LOX
5	CE / LIN
6	ATEX / STD. Cleaning
7	ATEX / LOX
8	ATEX / LIN

Table H - Flange Type

Option H	Flange
0	API 650 FF
1	ANSI 125/150 lb. FF
2	EN1092-1 PN10 FF

FF = Flat Face