

94200 Emergency Vent and Manhole Cover

The Shand & Jurs 94200 Emergency Vent and Manhole Cover is an economical solution to present day emergency venting requirements. It is designed to relieve excessive internal pressure in liquid storage tanks. Its economical price provides excellent protection against costly tank roof rupture repair. The sizes are 16", 20", 24", 30" and 36" ANSI 150# (ANSI) connections and 20" and 24" API 650 (API) roof manhole connections.

The 94200 is available with low base for liquid overflow. When specified, elongated guides and special stops can be provided to limit pallet lift. The pallet guide is deep enough to assure proper reseating of pallet after pressure relieving at lower overpressures. Pallet will reseat when tank pressure drops below set pressure.

For tank venting or examination, the pallet may be removed off its base offering a clear unobstructed passage. A retaining cable is provided to fasten the pallet to the base.



Features

- Easy installation, convenient handling
- Tank examination requires no gasket replacement or unbolting
- Manhole opening available in 16", 20", 24", 30", & 36"
- Materials include Aluminum, Steel & 316 Stainless Steel
- ATEX Certification available for hazardous locations
- CE Certifications available for ordinary locations

Specifications

Pressure Setting:

Standard for Aluminum Pallet:

16" - 24" - 0.865 oz./in.²; 30" & 36" - 1.1 oz./in.²

Standard for Stainless Steel & Carbon Steel Pallet:

16"-1.6 oz./in.²; 20" - 36" - 1.5 oz./in.²

Standard Maximum:

6.0 oz./in.² for 24" - 36" size

8.0 oz./in.² for 16" & 20" sizes

Higher Settings Available

Materials of Construction (Options)

Base:

Steel, Aluminum or 316 Stainless Steel

Diaphragm Seat:

Aluminum or 316 Stainless Steel

Diaphragm:

FEP (Fluorinated Ethylene Propylene), FKM (Fluoroelastomer),

NBR (Nitrile-Butadiene)

Standard Materials of Construction			
Pallet	Aluminum	Steel	316 SS
Hardware	Plated Steel	Plated Steel	316 SS
Load Weight*	Steel/Lead	Steel/Lead	Steel/Lead

*316 SS Weights Available

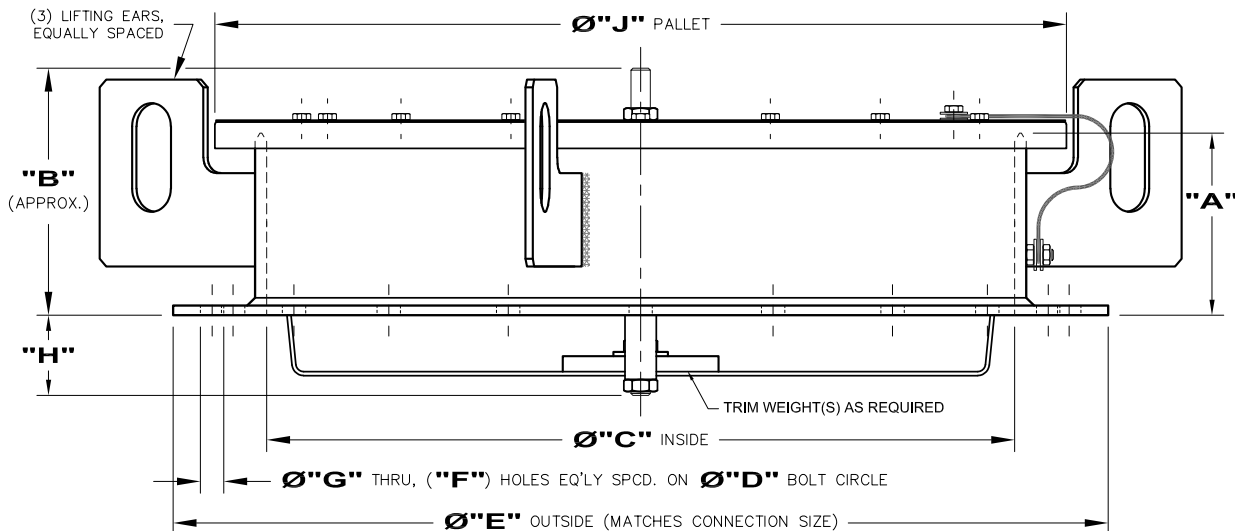
Dimensions

Vent Size	Connection Matching Size	"B" Note 1	"C"	"D" Bolt Circle	"E"	"F" Holes	"G"	"H" Max	"J" Pallet
16"	16" ANSI	8 5/16	16	21 1/4	23 1/2	16	1 1/8	0	18 3/4
20"	20" ANSI	9 1/4	20	25	27 1/2	20	1 1/4	3	23 5/16
20"	24" ANSI	9 1/4	20	29 1/2	32	20	1 3/8	3	23 5/16
24"	24" ANSI	9 1/4	24	29 1/2	32	20	1 3/8	3	27 5/16
30"	30" ANSI	9 1/4	30	36	38 3/4	28	1 3/8	5	33 5/8
36"	36" ANSI	9 1/4	36	42 3/4	46	32	1 5/8	7	40 3/4
20"	20" API	9 1/4	20	23 1/2	26	16	3/4	3	23 5/16
20"	24" API	9 1/4	20	27 1/2	30	20	3/4	3	23 5/16
24"	24" API	9 1/4	24	27 1/2	30	20	3/4	3	27 5/16

"A" = 6 1/4" for High and Limited Lift Base "A" = 2 1/8" for Low Base "H" = 3 1/2 for Low Base

NOTE 1. ACTUAL HEIGHT DEPENDANT ON SET POINT.

2. ANSI 150# (ANSI); API 650 (API)



All designs subject to change. Certified dimensions and specifications available upon request.

94200 Ordering Guide

Model Number Selection

The model number will consist of a base number **94200** followed by 8 digit numbers. These digits will represent 7 option tables.

94200 - AB - CD - EF - GH

Ordering Information

Specify:

1. Model 94200 Emergency Vent & Manhole Cover
2. Size and Body and Pallet Material
3. Pressure Set Point
4. Tank Product and Temperature
5. Flange Type
6. Cleaning
7. To specify CE for Ordinary EU Locations use Table H2 or H3
8. ATEX Certification for II 1 G Ex h II B T1...T6 Ga EU Locations, use Table H4 or H5



Table A - Base Material

Option A	Material
1	Steel
3	Aluminum*
5	316 Stainless Steel

* Steel Pallet Not Available With Aluminum Base

Table B - Base Type

Option B	Base Type
2	Standard
3	Limited Lift
4	Low Base

Table C - Seal Material

Option C	Diaphragm
0	FEP
2	FKM
3	NBR

NOTE: Consult Factory for other seal material. Specify temperature.

Table D - Mounting Flange Size

Option D	Size	Description
1	16"	16" Opening 16" Flange
2	20"	20" Opening 20" Flange
3	20" X 24"	20" Opening 24" Flange
4	24" X 24"	24" Opening 24" Flange
5	30"	30" Opening 30" Flange
6	36"	36" Opening 36" Flange

Table EF - Pallet Selection

Option EF	Selection
01	Steel*
02	Aluminum
03	316 Stainless Steel

NOTE: Make Table E Option "2" to Indicate a Non-standard Setting
*Not Available for CE or ATEX

Table G - Drilling*

Option G	Base Drilling
0	API**
1	UL142
2	ANSI
3	EN1092-1 PN16 FF

* Alternate Flange Drilling Available. Consult Factory.
** API 650 Flange Only Available in 20" and 24" Sizes.

Table H - Certification/Cleaning

Option H	Cleaning
0	Standard
1	Standard/LOX
2	CE / Standard
3	CE / LOX
4	ATEX / Standard
5	ATEX / LOX