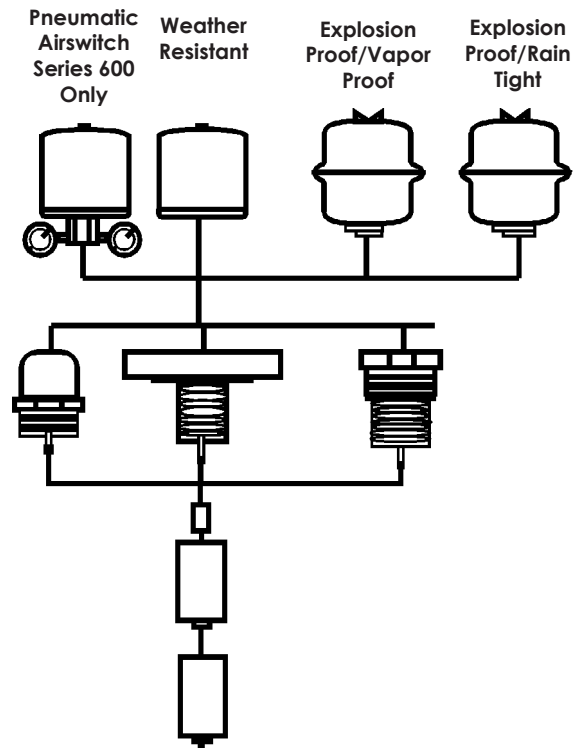


Technical Reference Top Mount Series



All designs subject to change. Certified dimensions and specifications available upon request.

Housings:

Omnitrol level switches offer a wide range of UL and CSA listed switch housings to cover even the most demanding service such as Hydrogen.

1. Weather Resistant.
2. Explosion Proof / Vapor Proof; Class I Groups B, C, & D ; Class II, Groups E, F, & G.
3. Explosion Proof / Rain Tight which includes a barrier drain. Class I, Groups C & D; Class II, Groups F & G.

All 600 and 700 Series Units:

1. Available with Snap Action (micro) switches.
2. Calibrated for the customers specified product / specific gravity.
3. Hydrostatically tested at 1.5 times the maximum safe working pressure.
4. Cast Iron and Cast Steel units have 316 SS displacer cable and supports and 304 SS trim.
5. Maximum specific gravity is 1.2 (Consult factory for higher values).
6. Electrical housings have 3/4 " NPT conduit connections with tangential entry for ease of field wiring.
7. Top mounted units come standard with 10' of 316 SS cable.
8. Displacer configurations and material vary according to specification.



Series 600 and 700 Top Mounted Level Control Switch Ordering Guide

Model **- A B B - C - D E F - G H H - I - J K L L**

A Number of Actuators

- 6 = Single
- 7 = Dual
- P = Pneumatic*

*Weather Resistant Housing Only

B Displacer Material & Type

- 10 = Graphite
- 13 = Porcelain
- 16 = Stainless Steel
- 21 = Lead

C Process Connection & Material 1; 3

- C = Cast Iron 2.5" NPT
- E = Cast Iron 2.5" NPT (GLC) 5
- D = Cast Iron Flange
- F = Carbon Steel Flange
- G = 304 SS Flange
- H = 316 SS Flange
- B = CS Bushing 2.5" NPT
- S = 304 SS Bushing 2.5" NPT
- T = 316 SS Bushing 2.5" NPT
- J = Cast Iron Flng. (GLC) 5
- K = Cast Steel Flng. (GLC) 5
- L = 304 SS Flange (GLC) 5
- M = 316 SS Flange (GLC) 5

D Flange Size

- 0 = Threaded
- 3 = 3" Flange
- 4 = 4" Flange
- 6 = 6" Flange
- 8 = 8" Flange

E Flange Pressure Rating

- 0 = Threaded
- 1 = 125 lb. ANSI
- 2 = 150 lb. ANSI
- 3 = 300 lb. ANSI
- 6 = 600 lb. ANSI
- 7 = 900 lb. ANSI 2
- 8 = 1500 lb. ANSI 2

F Flange Face Type

- 0 = Threaded
- 1 = Flat Faced (FF)
- 2 = Raised Face (RF) < 600 lbs
- 3 = Ring Type (RT) > 600 lbs

G Housing Type

- W = Weather Resistant
- V = Explosion & Vapor Proof
Group B, C & D 8
- R = Explosion Proof/Rain Tight
Group C & D 8

H Switch Type

- A2 = USE E2
- A4 = USE E4
- B2 = USE E2
- B4 = USE E4
- D2 = USE E2
- D4 = USE E4
- E2 = 20 Amp SPDT Micro
- E4 = 20 Amp DPDT Micro
- G4 = ELW/Gold Contact 7
- H2 = 10 Amp DC SPDT Micro
- H4 = 10 Amp DC DPDT Micro
- M2 = 5 Amp SPDT Micro
Hermetically Sealed 7
- M4 = 5 Amp DPDT Micro
Hermetically Sealed 7
- S2 = 5 Amp SPDT Micro
Environment Proof 7
- S4 = 5 Amp DPDT Micro
Environment Proof 7

I Specific Gravity 6

- A = < .53
- B = .53 to .57
- C = .58 to .62
- D = .63 to .67
- E = .68 to .72
- F = .73 to .77
- G = .78 to .82
- H = .83 to .87
- I = .88 to .92
- J = .93 to .97
- K = .98 to 1.02
- L = 1.03 to 1.07
- M = 1.08 to 1.12
- N = 1.13 to 1.17
- O = > 1.17
- Y = Not Applicable (Lead Displacer)

J Displacer Cable Length

- 0 = 10 ft (Standard)
- 2 = 20 ft
- 3 = 30 ft
- 4 = 40 ft

K Ground Level Checker Chain Length

- 0 = No GLC
- 1 = 10 ft (Standard)
- 2 = 20 ft
- 3 = 30 ft
- 4 = 40 ft
- 5 = 50 ft
- 6 = 60 ft

L Specials

XX

SWITCH RATINGS (RESISTIVE)					
SWITCH TYPE	VOLTS	AC		DC	
		AMPS	HP	AMPS	HP
E	125 250	20 20	1 2	1/2 1/4	~ ~
G	125	1	~	~	~
H	125 250	10 ~	1/4 ~	10 3	~ ~
M	28	~	~	5	~
S	30 250	~ 5	~ ~	5 ~	~ ~

Notes

1. To add Flange to any Threaded Connection SEE Tables D, E, & F
2. Maximum Pressure for Unit with Standard Isolation Tube is 1500 psi
3. Ground Level Checker (GLC) on E; J; K; L; M only
4. For Floating Roof Applications
5. Maximum Pressure with GLC is 25 psig
6. Options E through K available with standard displacers, for other options, C.F.
7. No UL/CSA Approvals
8. No CSA Approvals

C.F.- Consult Factory



Series 600 and 700 Top Mounted Level Control Switch Ordering Guide



Model Numbering Examples (Top Mounted):

Example: Model # 713-D-311-RE4-E-0000

Example: Model # 613-C-000-VE2-E-0000

7	Dual Actuator
13	Porcelain Displacers
D-311	3" 125 lb. FF CI Flange
R	Explosion Proof/Rain Proof
E4	20 Amp DPDT Micro
E	0.68 to 0.72 Sp Gr
0	10 ft Cable
0	No Ground Level Checker
00	No Special Options

6	Single Actuator
13	Porcelain Displacers
C-000	2.5" NPT
V	Explosion Proof/Vapor Proof
E2	20 Amp SPDT Micro
E	0.68 to 0.72 Sp Gr
0	10 ft Cable
0	No Ground Level Checker
00	No Special Options

Accessories:

Part #	Description
BA-17848	Mounting Bracket For Open Floating Roof Tank
BM-20078-100	Universal Mounting Flange (2.5" NPT Controls)
BA-18876	Weight Kit for Chains over 50' and Less than 100' (Counter Balance)
RM99825	Beaded Chain (in increments of 10')

