



Dual Actuator Flanged Chamber Mounted Switch

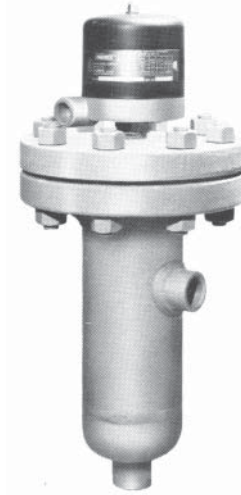
Models 764F, 766F and 768F are dual actuator flanged chamber mounted units.

Switching differentials for standard specific gravity settings are shown in Table A on reverse side. Maximum specific gravity for these controls is 1.4. Standard process connections are 1" NPT. Other sizes and configurations are available.

The lower switching point of the lower actuator is 8-1/4" below the centerline of the horizontal connection of the chamber. Switching gap at standard specific gravity will be set at 4" unless otherwise specified, but may vary from a minimum of 2" on all models to a maximum of 4" on the 4" model and maximum of 6" on the 6" and 8" models.

These models are available in various pressure ranges shown in Table B. The desired pressure rating of the controls is included in the model number.

These models have dual actuators and are available with graphite displacers.



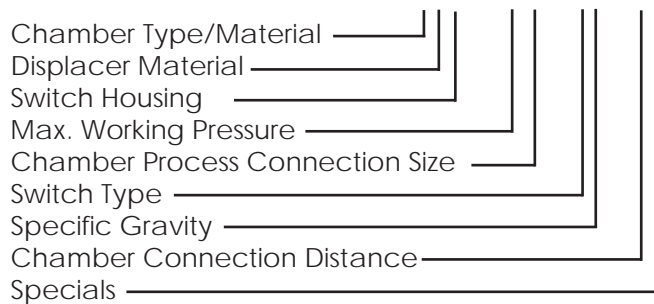
("F" Chamber)

Features

- Factory Calibrated to each applications Specific Gravity
- Hydrostatically Tested at 1.5 times the maximum design pressure
- Available in CS, 304SS, 316SS
- UL & CSA Approved

Ordering Information

76(4,6,8)- DEF - GH - IJ - KL



For ordering information, please reference Chamber Mounted Switch Ordering Guide

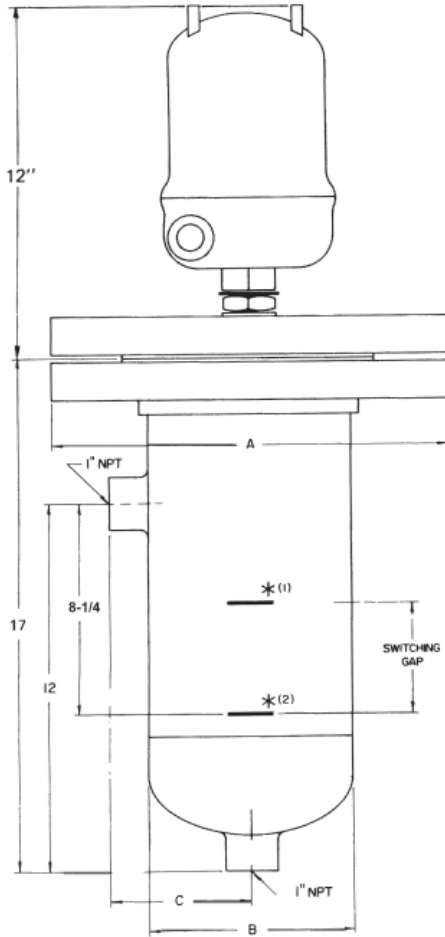




Models 764F, 766F & 768F

Dual Actuator Flanged Chamber Mounted Switch

Specifications:



Model Number	Standard Specific Gravity Setting	Switching Differential at Standard Setting	Minimum Setting Available on Special Order
764	.75	2"	.50
766	.65	7/8"	.50
768	.55	3/4"	.50

The 760 Series are not available for interface applications.

Model Number	Maximum Pressure Rating at 500F (PSIG) (Table "G")	Body Size (Inches)	Dimensions		
			A	B	C
764	150	4	9	4 1/2	3 1/2
766	150	6	11	6 5/8	4 1/2
768	150	8	13 1/2	8 5/8	5 1/2
764	300	4	10	4 1/2	3 1/2
766	300	6	12 1/2	6 5/8	4 1/2
768	300	8	15	8 5/8	5 1/2
764	600	4	10	4 1/2	3 1/2
766	600	6	12 1/2	6 5/8	4 1/2
768	600	8	15	8 5/8	5 1/2
764	1000	4	10 3/4	4 1/2	3 1/2
766	1000	6	14	6 5/8	4 1/2
768	1000	8	16 1/2	8 5/8	5 1/2

*Optional Flanged Connections

* (1) Lower Switching Point of Upper Actuator

* (2) Lower Switching Point of Lower Actuator

All designs subject to change. Certified dimensions and specifications available upon request

