



Single Actuator Flanged Chamber Mounted Switch

Models 664F, 666F and 668F are single actuated flanged chamber mounted switches. Each control is available with a wide variety of switches.

Switching differentials for standard specific gravity settings are shown in Table A on reverse side. Maximum specific gravity for these controls is 1.7.

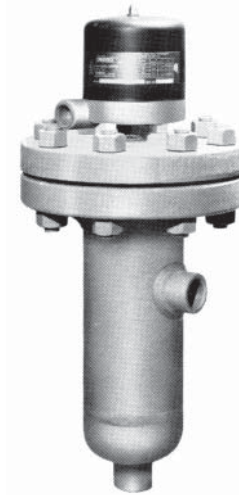
The lower switching point of the actuator is 5-1/4" below the centerline of the horizontal connection of the chamber.

These models are available in various pressure ranges shown in Table A. The desired pressure rating control is included in the model number.

These models have a single actuator and are available with graphite displacers.

Pressure and temperature rating for these controls is 1000 lbs. at 500° F. Special materials of construction are available upon request.

This series may be used for interface applications on special order. Consult factory and specify gravity of both liquids.



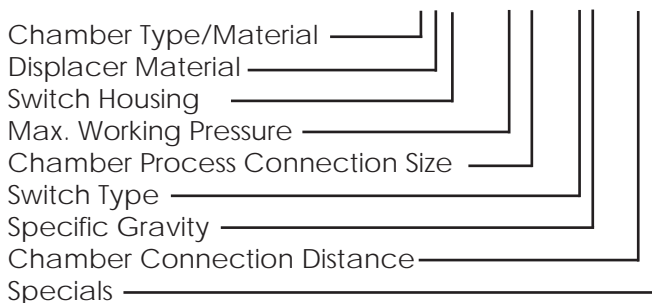
("F" Chamber)

Features

- Factory Calibrated to each applications Specific Gravity
- Hydrostatically Tested at 1.5 times the maximum design pressure
- Available in CS, 304SS, 316SS
- UL & CSA Approved

Ordering Information

66(4,6,8)- DEF - GH - IJ - KL



For ordering information, please reference Chamber Mounted Switch Ordering Guide

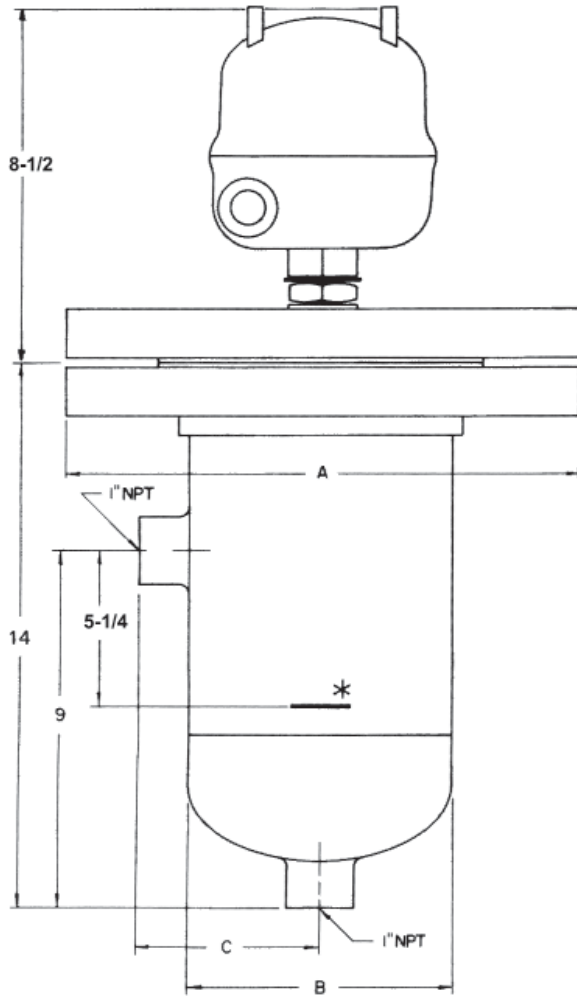




Models 664F, 666F & 668F

Single Actuator Flanged Chamber Mounted Switch

Specifications:



*Optional Flanged Connections
* Lower Switching Point

Model Number	Standard Specific Gravity Setting	Switching Differential at Standard Setting	Minimum Setting Available on Special Order
664	.70	2 1/8"	.35
666	.45	7/8"	.35
668	.35	7/8"	.25

Model Number	Maximum Pressure Rating at 500F (PSIG) (Table "G")	Body Size (Inches)	Dimensions		
			A	B	C
664	150	4	9	4 1/2	3 1/2
666	150	6	11	6 5/8	4 1/2
668	150	8	13 1/2	8 5/8	5 1/2
664	300	4	10	4 1/2	3 1/2
666	300	6	12 1/2	6 5/8	4 1/2
668	300	8	15	8 5/8	5 1/2
664	600	4	10	4 1/2	3 1/2
666	600	6	12 1/2	6 5/8	4 1/2
668	600	8	15	8 5/8	5 1/2
664	1000	4	10 3/4	4 1/2	3 1/2
666	1000	6	14	6 5/8	4 1/2
668	1000	8	16 1/2	8 5/8	5 1/2

All designs subject to change. Certified dimensions and specifications available upon request

