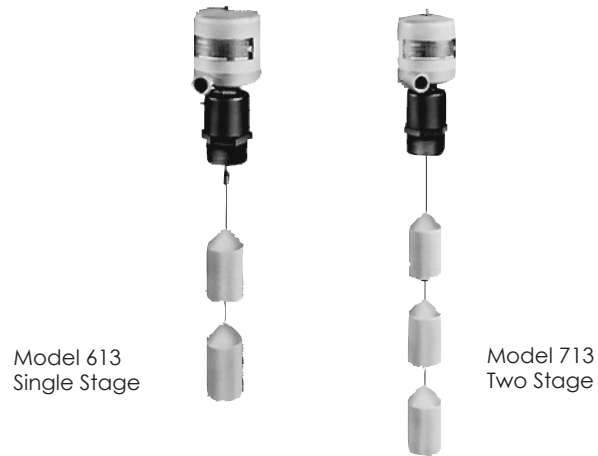


Top Mounted Level Control Switches Porcelain Displacers

The Omnitrol Model 613 single stage control and the Model 713 two stage, (Dual Actuator), control are top mounted level switches of the adjustable differential type and utilize porcelain as standard displacer material. Porcelain offers several advantages such as low cost and high density for use in applications such as sewage, oils, paints and foaming and surging liquids. The displacer is styled, and the surface glazed, to help prevent adherence of oils and other contaminants common to applied processes. These controls have solid displacers which are unaffected by pressure, leakage, and collapsing. With a simple field adjustment the displacer can be positioned to any desired elevation below the mounting connection to open and/or close an electric or pneumatic switch. The distance between the ON/OFF or OPEN/CLOSE is adjustable from the minimum (tables 1 and 2 on reverse side), to the maximum length of the cable, which is 10 feet standard. Controls may be supplied with cables up to 60 feet for 600 series and 40 feet for 700 series.

The pressure, temperature and specific gravity in which these controls may be applied is a function of the selected mounting connection and displacer assembly. Model 613 or 713 may be used for pressures up to 1500 PSIG with standard construction and for specific gravities as low as 0.50, for the 613, and 0.60 for the 713.

Do not use porcelain displacers in closed, non-vented, boiling water condensate systems over 200° F (93° C).



Features

- Low Cost Porcelain Displacer Material
- Simple adjustment of displacers for various switching differentials
- Cone top displacers shed debris floating in liquid (such as sewage)
- UL & CSA approved

Applications

- High Temperature Water or Oils
- Petro-Chemical Processes
- Pump Control (Adjustable differentials)
- Alarm Annunciation



Model 613/713 Top Mounted Level Control Switches Porcelain Displacers

Specifications:

Table 1 Minimum Switching Differentials vs. Specific Gravity for the 613, 2-1/2" Displacer

Specific Gravity	1.7	1.6	1.5	1.4	1.3	1.2	1.1	1.0	.95	.90	.85	.80	.75	.70	.65	.60
Differential Inches	1.72	1.81	1.91	2.02	2.15	2.30	2.49	2.70	2.84	2.98	3.10	3.31	3.51	3.74	4.00	4.32
Differential mm.	44	46	48	51	55	58	63	69	72	76	79	84	89	95	102	110

Table 2 Minimum Switching Differentials vs. Specific Gravity for the 713, 2-1/2" Displacer

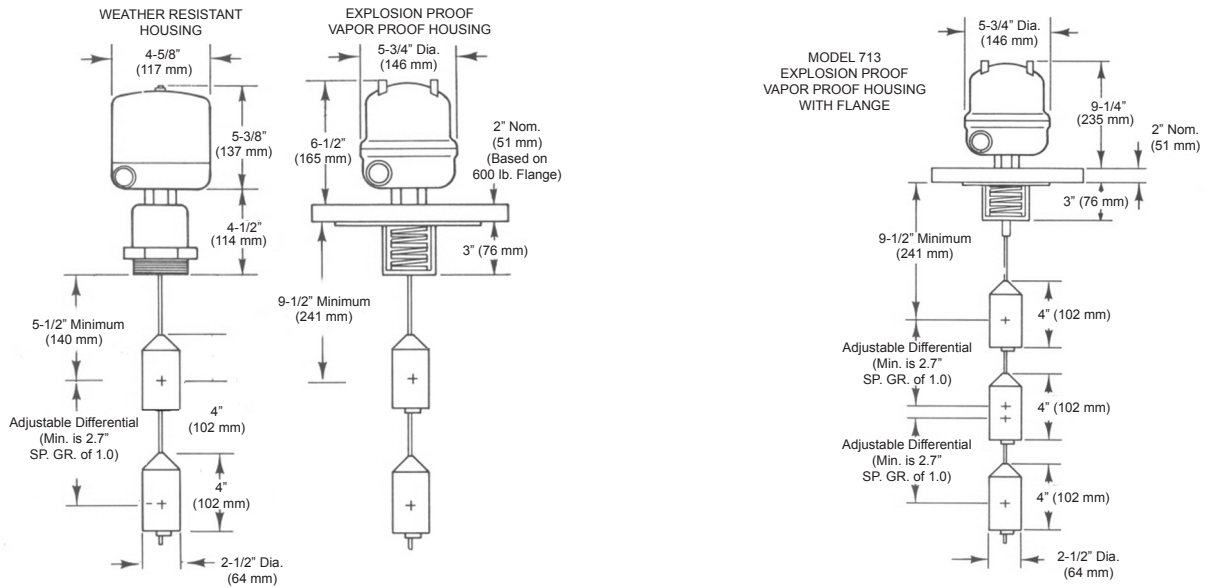
Specific Gravity	1.2	1.1	1.0	.95	.90	.85	.80	.75	.70	.65	.60
Differential Inches	2.30	2.49	2.70	2.84	2.98	3.10	3.31	3.51	3.74	4.00	4.32
Differential mm.	58	63	69	72	76	79	84	89	95	102	110

Typical Temperature Variance (Process)

Stainless Steel Mounting with Micro Switch	-100° F to 400° F (-73°C to 204° C)
---	--

Basic Temperature Rating is -20° F to +400° F (-29° C to +204° C) For higher or lower temperatures extensions may be provided (consult factory)

Dimensions:



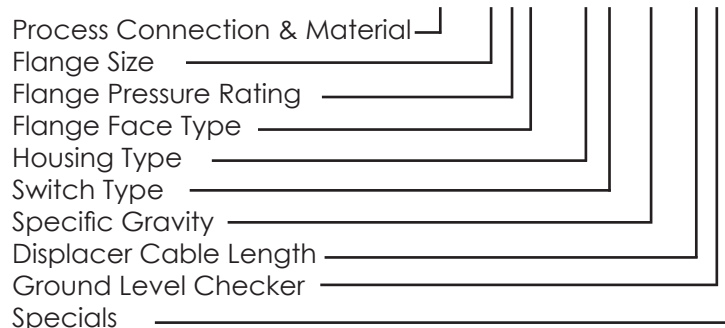
Model 613

All designs subject to change. Certified dimensions and specifications available upon request

Model 713

Ordering Information

6(7)13 - C - DEF - GH - I - JKL



For ordering information, please reference Top Mounted Level Control Switch Ordering Guide on page 163

