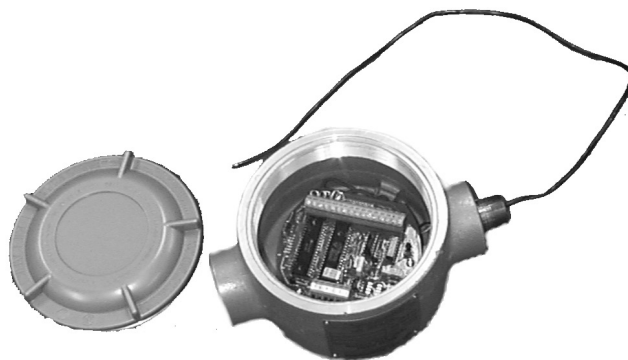
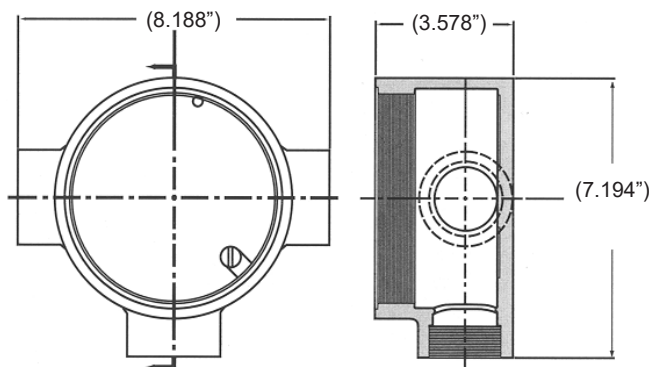


MCG 2350 Average Temperature Converter

The MCG 2350 is a stand-alone average temperature converter. Accepting its input from an average temperature probe with up to 14 elements, the unit multiplexes these inputs to give a digital output that corresponds to the product temperature. The MCG 2350 is available in two resolution ranges (0.1° C and 0.01° C). The housing is an explosion proof enclosure and includes a critical intrinsic safety (I.S.) barrier, allowing for the use of either explosion proof probes or I.S. probes. The MCG 2350 is normally connected directly to other L&J Engineering models via a serial connection, to give the transmitter average temperature capabilities. The MCG 2350 is UL/C-UL and ATEX/CENELEC Approved.



Dimensions



All designs subject to change. Certified dimensions and specifications available upon request.

Features

- High Accuracy (+/-0.5°F) Temperature Measurement
- Temperature Averaging
- Temperature Conversions

MCG 2350 Ordering Guide

MCG 2350 Average Temperature Converter

Includes: Explosion Proof Housing with intrinsically safe outputs for MCG 350/351. Compatible with the following MCG Series gauges and transmitters:

- MCG 1600SFI - Radar Level Gauge
 - MCG 1500SFI - Intelligent Servo Gauge
 - MCG 2000MAX - Encoder / Transmitter
- *The gauges, transmitters, and probes must be ordered separately.

Model Number Selection:

The model number will consist of a base number **MCG 2350** followed by 2 digits. These digits will represent an option table:

MCG 2350 - AB

AB – Approval Type	
00	None
01	UL - Class I, Groups C & D
02	CENELEC / ATEX II 2G, EEx d [ia] IIB T6
03	C-UL - Class I, Group D