

MCG 1350 Ground Level Display

L&J Technologies is constantly making the job easier for the end user. One of these ways is by offering a Ground level Display to the L&J Engineering line of products. L&J makes it no longer necessary to climb to the top of the tank to access the desired information or perform any of the programming functions.

The MCG 1350 Ground Level Display comprises a circular cast aluminum alloy housing having a circular threaded cast aluminum alloy cover which incorporates a flat circular window for observation of an internal display. The internal equipment is comprised of a PCB with the LCD assembly. The unit is rated at 30 VDC, 1 W. Power is provided by the host equipment.

The Ground Level Display is an explosion-proof, LCD readout enclosure that is typically located at eye level at the bottom of the tank at a nearby building.

Easy access Built-in diagnostic features of SFI equipment to test and verify operation without having to climb the tank.

The MCG 1350 GLD provides the same data display as is utilized by the MCG 1500SFI Servo Gauge, MCG 1600SFI Radar Gauge, the MCG 2000MAX Transmitter and the evo 2600 Radar Gauge. This allows you to be able to apply any of the programming functions of the L&J Engineering product line.



Features

- Remote Calibration of SFI Series Gauges
- Remote Programming of SFI Gauges
- Eliminates Tank Climbing
- Display Data at Remote Location

Applications

Used to monitor, program and calibrate the following equipment from ground level:

- MCG 1500SFI Servo Gauge
- MCG 1600SFI Radar Gauge
- MCG 2000MAX Transmitter
- evo 2600 Radar Gauge

Specifications

Usage:

In conjunction with the MCG 1500SFI, MCG 1600SFI, MCG 2000MAX and evo 2600

Display:

4 line x 20 Character LCD

Programming:

Infrared

Voltage:

10-48 VDC

Dimension:

6.25" Dia. x 4.375" Depth

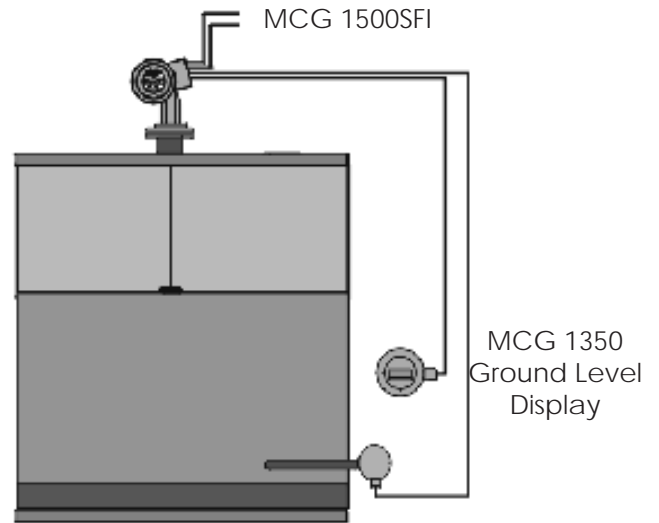
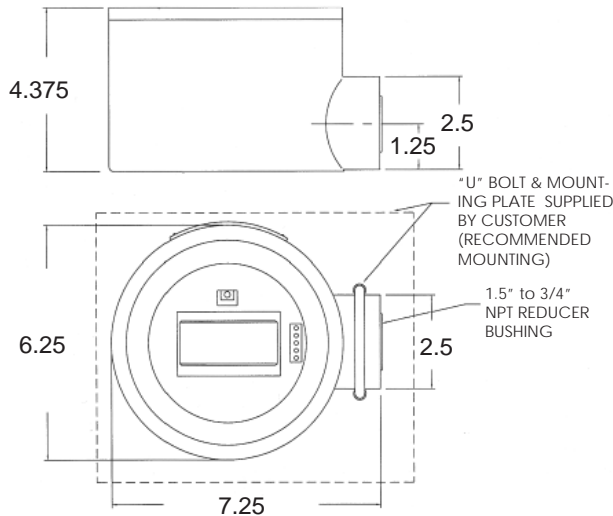
Weight:

5 lbs.

Safety:

Explosion Proof
Class I Groups C & D,
CENELEC/ATEX
II 2 G EEx d IIB T6
ABS Approved

Dimensions



All designs subject to change. Certified dimensions and specifications available upon request.

MCG 1350 Ordering Guide

MCG 1350 Ground Level Display

Includes: Explosion Proof Housing and Compatibility with the following MCG Series gauges and transmitters:

- MCG 1500SFI - Servo Gauge
- MCG 1600SFI - Radar Level Gauge
- MCG 2000 MAX - Transmitter
- evo 2600 - Radar Gauge

* Gauges and transmitters must be ordered separately.

MCG 2150 HANDHELD INFRARED CALIBRATOR (One Required)

Model Number Selection:

The model number will consist of a base number **MCG 1350** followed by 4 digit letters. These digits will represent 4 option tables:

MCG 1350 - AB - CD

A – Material	
0	Aluminum
1	NEMA 4

C – Heater	
0	No Heater
1	Heater

B – Enclosure Type	
0	UL - Class 1, Groups C & D
1	CENELEC/ATEX - II 2 G, EEx d IIB T6
3	CSA Approved Housing

D – Distance to Gauge	
0	Standard (<75' 4 - Wire)
1	Extended (>75' 6 - Wire)
2	Extended (>75' 4 - Wire, No Backlight)