



General Description

The Model 31560 Edge Guide Sensor is designed primarily for use on pin and clip tenter frames. The sensor detects the edge of the material and transmits an electrical signal to the Dynaguide* Electrohydraulic Controller. The hydraulic controller in turn actuates the hydraulic cylinder positioning the tenter rail.

For sensor operation with the Dynaguide Electrohydraulic Controller, the Model 33130D Digital Controller (or 33130 Analog Webguide Controller) is required.

The Model 31560 Edge Guide Sensor (used with Dynaguide) continuously senses the web position with a light beam directed at a cadmium sulfide cell, whose resistance is directly proportional to the amount of light falling on its surface.

This resistance varies with the lateral position of the web edge. The change in resistance controls the input signal to the Controller. The electronic controller provides the output (in direct proportion to the lateral edge position of the web) to the

Dynaguide Electrohydraulic Controller, which in turn provides hydraulic power to the hydraulic control element.

**Trademark of GPE Controls*

■ High Sensitivity

Angular light path design detects better than .005" of lateral web displacement and follows even the sheerest textile.

■ High Accuracy

Maximum gain over a proportioned range plus high-speed response with stability from a hydraulic controller; provides the most accurate tenter following system available.

■ Simplified Installation

Pre-wired sensor requires only connection to a controller. Compact size allows installation in confined areas.

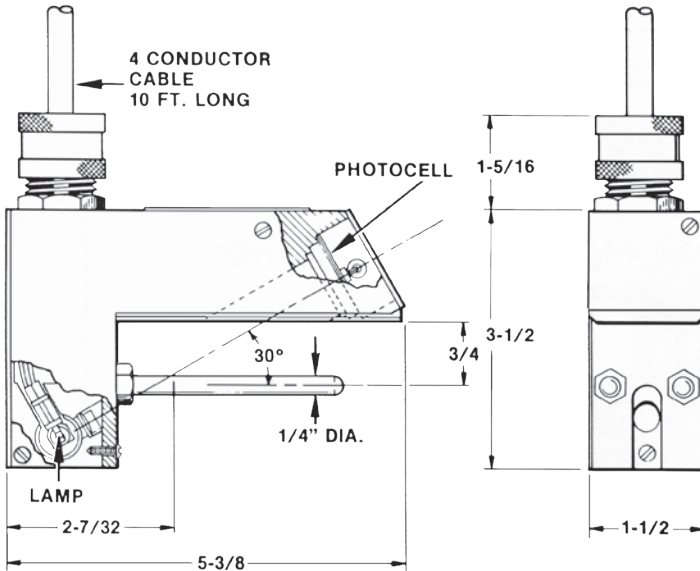
■ Simple Adjustments

Requires only gain and bias adjustments to match line process requirements.

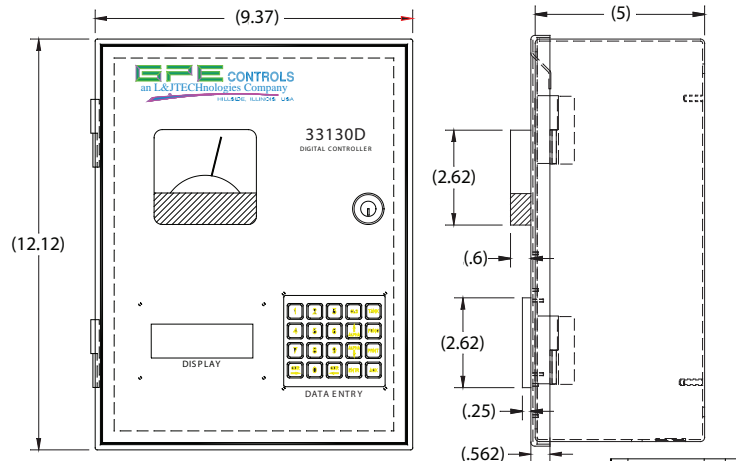
PRODUCT DATA SHEET

Outline Dimensions

Model 31560 Edge Guide Sensor



Model 33130D Digital Controller



Specifications

Power Input	2.3 VDC, 400 ma from Model 33130D Digital Controller or Model 33130 Webguide Controller. (Option 31560-01)
Input Span	28 VDC, 40 ma from Model 33130D Digital Controller or 33130 Analog Webguide Controller (Option 31560-02)
Output	1/2" lateral web displacements
Resolution	Photoresistive signal to Webguide Controller. 0-700 microamps short circuit photocell current to Webguide Controller
Sensitivity	Infinite
Temperature Range	Full correction speed with less than .005 inches of lateral web displacement of an opaque material when used in a typical GPE Control System.
Construction	+10°F to 130°F
Weight	Aluminum
	2 Lbs.

How to Order

Specify:

1. Model 31560 (Textile) Edge Guide Sensor
2. Sensor for use with Model 33130D Digital Controller (or Model 33130 Analog Webguide Controller) *

* Model 33130D Digital Controller and related components must be ordered separately. Model 33130 Webguide Controller is no longer manufactured.