

99060 Duracator

The 99060 Duracator is a visual pallet lift indication device for conservation vents. The Duracator will allow you to visually detect the percentage of pallet lift that has occurred on your conservation vent.

Theory of Operation

The Duracator operates by flipping magnetic indicators as its pallet stem rises. The Duracator is fastened to the top of a modified conservation vent pressure side cover, which then allows the vent's pallet to lift the Duracator's actuator as the pallet rises when there is a relief of product. As it rises, the magnetic indicators will flip from 0%, 25%, 50% and finally 100% pallet lift.

Modes of Operation

The 99060 Duracator features two modes of operation.

Memory Mode:

In this configuration the maximum percentage of pallet lift will remain displayed on the device until it is reset with a special resetting magnet.

Following Mode:

In this configuration, the Duracator's indicator will follow the position of the pallet and return to 0 when the pallet closes.

Two Sizes Available

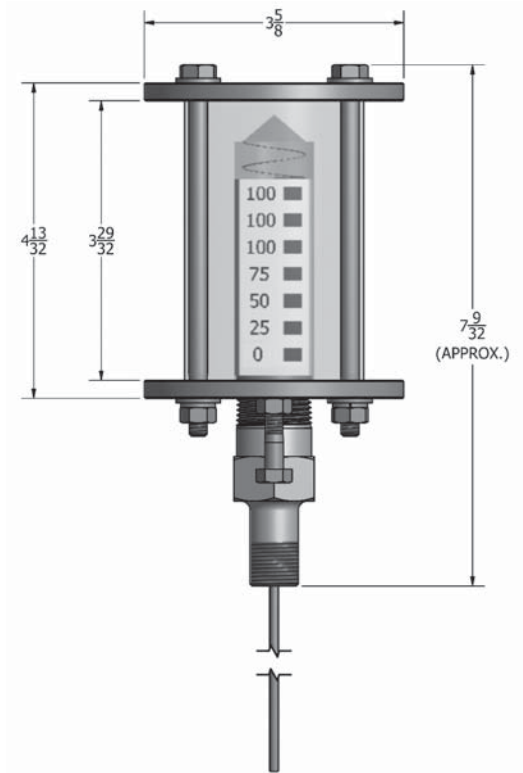
The 99060 Duracator is available in 2 options. The first is for conservation vents in 2" -6" sizes. The second is for conservation vents in 8" -12".



Features

- Visual Indication of Pallet Lift
- Can be added to any conservation vent easily
- Two modes of operation available
- Fits 2" -12" Conservation Vents

Outline Dimensions



All designs subject to change. Certified dimensions and specifications available upon request.

99060 Ordering Guide

Model Number Selection

The model number will consist of a base number **99060** followed by 2 digit numbers. These digits will represent 2 option tables.

99060 - AB

Ordering Information

Specify:

1. Model 99060
2. Size
3. Mode of Operation



Table A - Size

Option A	Size
1	2" - 6"
2	8" - 12"

Table B - Mode of Operation

Option B	Mode of Operation
1	Memory Mode*
2	Following Mode

*Includes Shand & Jurs resetting magnet