

97101 High Pressure Manual Drip Trap

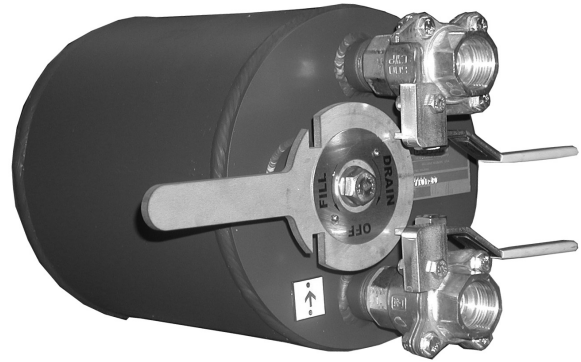
The S&J 97101 High Pressure Manual Drip Trap provides for the continuous, safe removal of condensate from low points in high pressure gas piping systems. Removing condensed liquid protects the piping and equipment from corrosion and "water hammer" damage.

The unit collects liquid until the drain valve is manually opened. The inlet valve is closed prior to opening the drain port allowing for removal of condensate without gas escaping.

High and low pressure rated units allow for use in any low area of the digester gas system. For lower operating pressures, the model 97100 and 97110 drip traps are recommended.

Available in 4 or 6 quart size and with 1" NPT inlets and outlets, the S&J 97101 adapts to any condensation or drainage collection requirement. Its carbon steel and stainless steel components withstand the severest of process environments. The S&J 97101 is especially designed for hydrogen sulfide and hot, wet methane which are the main components of digester gas streams in municipal waste water treatment facilities.

Please see the 97101E for more information on the high pressure drip trap with electric actuator.



Features

- Positive Gas Shut-off While Draining
- 100 PSIG Standard
- 4 Quart or 6 Quart Capacity
- Locking Lever
- Double Seal Ball Plug Valves
- Carbon Steel or Stainless Steel Construction

Specifications:

Available Sizes/Capacity

4 Quart or 6 Quart

Inlet/Outlet Connections

1" NPT

Body:

Carbon Steel or Stainless Steel

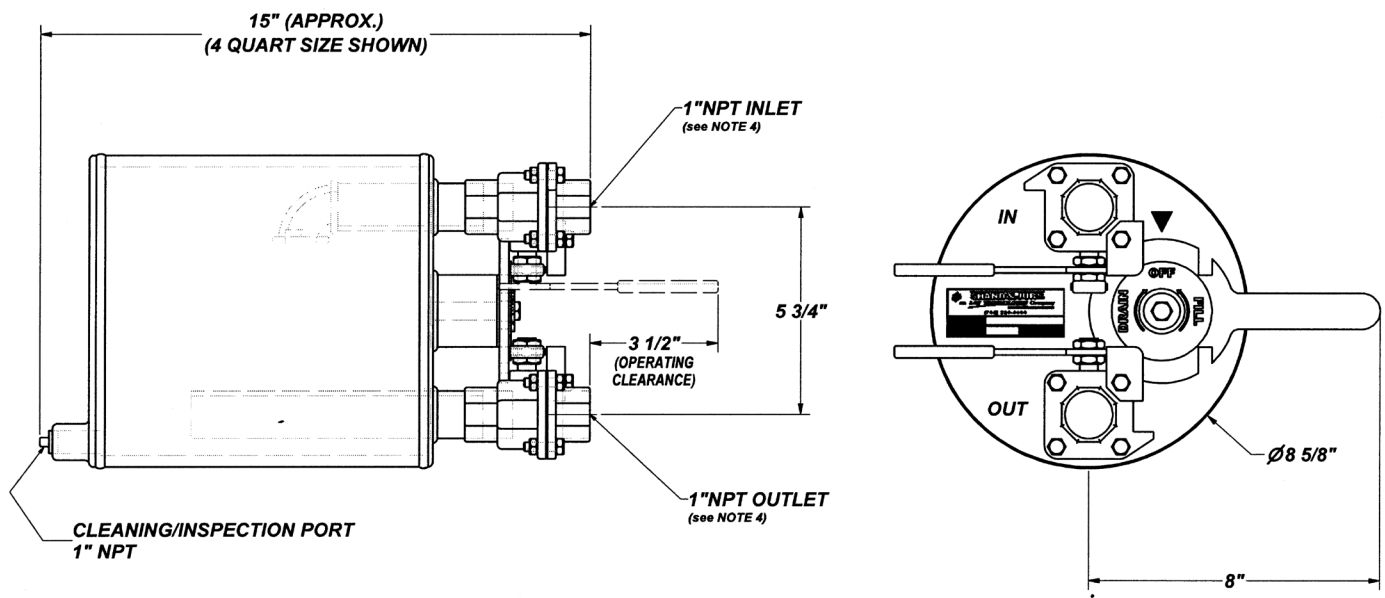
Rated Pressure:

100 PSIG

Ball Valve:

Brass or Stainless Steel with Teflon seat, double seal

Dimensions:



All designs subject to change. Certified dimensions and specifications available upon request.

97101 Ordering Guide

Model Number Selection

The model number will have a base number **97101** followed by 2 digit numbers. These digits will represent 2 sets of option tables.

97101 - AB

Table A - Capacity

Option A	Capacity
4	4 Quart
6	6 Quart

Table B - Material

Option B	Material
0	Steel Body, Brass Ball Valve, Teflon Seat
1	Stainless Steel Body and Ball Valve, Teflon Seat