

97100E Electric Drip Trap

The S&J 97100E Electric Drip Trap provides for the continuous, safe removal of condensate from low points in low pressure gas piping systems. Available in either 3 or 6 quart sizes and with 1" NPT inlets and outlets, the S&J 97100E adapts to any condensation or drainage collection requirement. The 97100E can be mounted in Class 1, Division 1 & 2, Gas Group D hazardous locations and is rated for both NEMA 4 and 7.

The unit collects liquid until the ported rotating disc valve is electrically opened. The actuator seals the gas inlet port prior to opening the drain port allowing for removal of condensate without gas escaping. A visual indicator is located on the front to identify the "open" or "closed" condition. An optional timer controlled electrical actuator is available which will automatically drain the trap at a user programmable time interval.

An optional Local Control Panel, the 97101P, is available and can control up to 8 units maximum. The panel is available in NEMA 4X or NEMA 7 enclosures.

For higher pressure systems, see the Shand & Jurs model 97101E.

Specifications:

Available Sizes/Capacity

3 Quart, 6 Quart

Inlet/Outlet Connections

1" NPT

Materials of Construction

Low Copper Aluminum or Stainless Steel (SS) body, cover plate and (Drip Trap) disc; Stainless Steel internals

Maximum Working Pressure

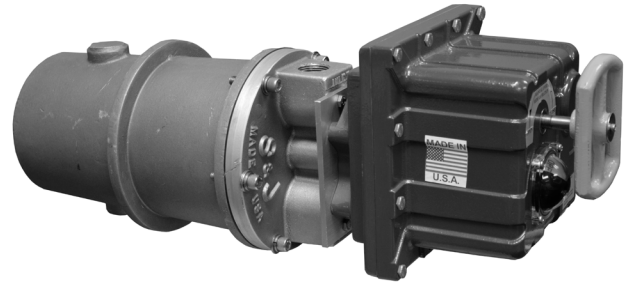
5 PSIG Standard, 25 PSIG Optional

Mounting Bracket

Available in Aluminum or Stainless Steel

Electronic Actuator:

120 VAC 60 Hz, 1 Phase (220 VAC Model available)
Temp. Rating: -40°F to +150°F (with heater)
NEMA 4/7, Aluminum Enclosure Class 1, Div 1 & 2, Gas Group D CSA Approved
Permanent Lubrication; High Torque Capability
Visual Indication: Open/Close
Indication Contacts: Open/Close SPDT;
Auxiliary Limit Switches (Optional): Open/Close SPDT



97100E Drip Trap Standard Model with Handwheel

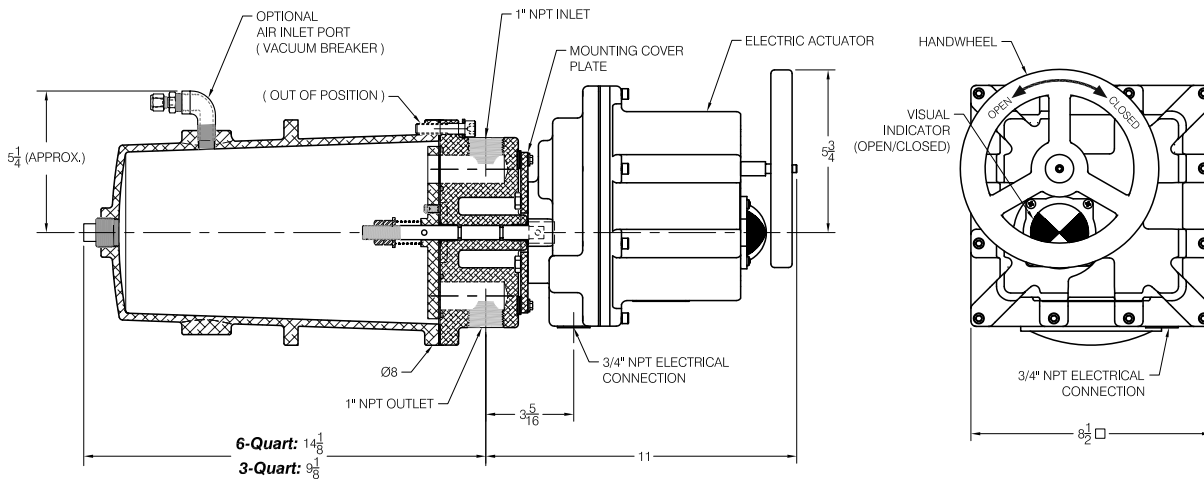
Features

- Positive Gas Shut-off While Draining
- Automatic Operation with an Electronic Timer
- Local Control Panel Available
- 5 PSI or 25 PSI Operating Pressures Available
- 3 or 6 Quart Capacities
- Air Inlet and Insulation Jackets available
- Manual Handwheel Standard
- New - Easy to Read Visual Indicator
- NEMA 4/7 Approved
- Isolation Valve Available

97100E Electric Drip Trap



Dimensions:



All designs subject to change. Certified dimensions and specifications available upon request.

97100E Ordering Guide

Model Number Selection

The model number will have a base number **97100E** followed by 6 digit numbers. These digits will represent 6 sets of option tables.

97100E - AB - CD - EF

Table A - Capacity

Option A	Capacity	MAWP
3	3 Quart	5 PSIG
6	6 Quart	
4	3 Quart	25 PSIG
7	6 Quart	

Table D - Options

Option D	Options
0	None
1	Insulation Jacket
2	Air Inlet
3	Air Inlet with Insulation Jacket

Isolation valve available upon special request.

Table B - Body Material

Option B	Material
2	Aluminum
3	Aluminum w/ Anodized Disc/Cover
4	Aluminum w/ Anodized Disc/Cover/Body
5	304 Stainless Steel
6	316 Stainless Steel

Table E - Hardware

Option E	Options
0	Stainless Steel Bracket / Stainless Steel Hardware
2	Aluminum Bracket / Stainless Steel Hardware
3	316 Stainless Steel Bracket / Stainless Steel Hardware

Table C - Softgoods

Option C	Softgoods
0	NBR (Nitrile-Butadiene)
1	CR = Chloroprene (Neoprene)

Table F - Actuator

Option F	Actuator
2	No Timer, NEMA 4/7 w/ Manual Handwheel
3	With Timer, NEMA 4/7 w/ Manual Handwheel

97100P Local Control Panel

The 97100P Local Control Panel can control up to eight 97100E units maximum. Selectors include Auto/Local Mode and Local Fill/Drain. Indicators show when the drip trap is filling or draining. An optional fail indicator is also available. Optional status and fail dry contacts are available for user control. The Local Control Panel is available for manual control only or with automatic timers. Typical enclosures available are NEMA 4X Fiberglass, 304 Stainless Steel, 316 Stainless Steel or NEMA 7 Aluminum.



NEMA 4X Fiberglass Panel



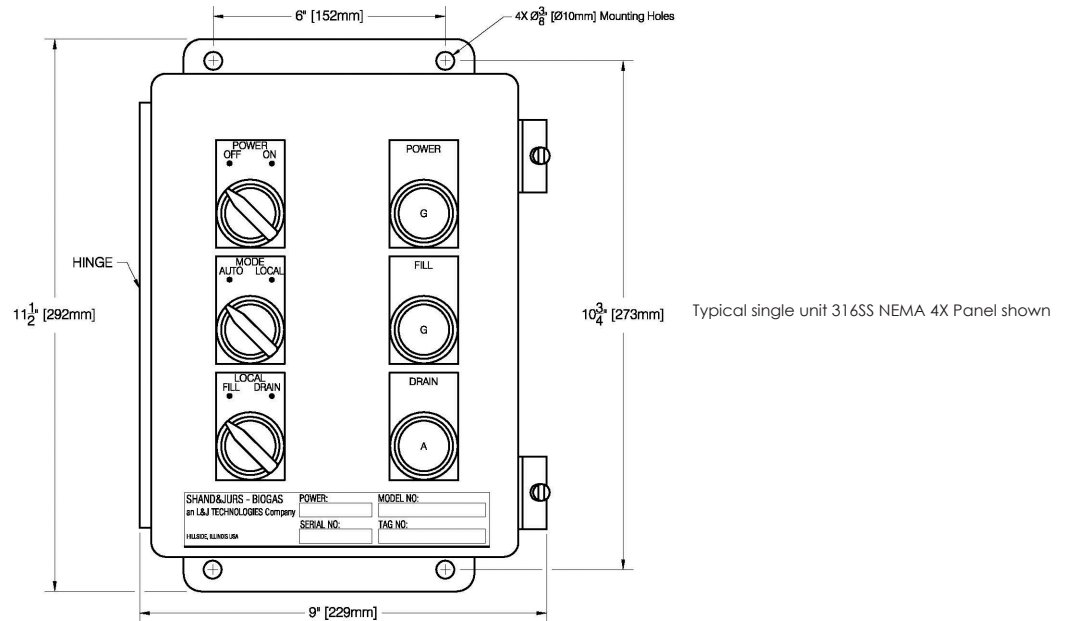
NEMA 7 Panel



5911 Butterfield Road Hillside, IL 60162 • tel: (708) 236-6000 • fax: (708) 236-6006
sales@ljtechnologies.com • www.ljtechnologies.com • ISO 9001:2015 Certified

Rev: 97100E-3G

Dimensions:



All designs subject to change. Certified dimensions and specifications available upon request.

97100P Ordering Guide

Model Number Selection

The model number will have a base number **97100P** followed by 4 digit numbers. These digits will represent 4 sets of option tables.

97100P - AB - CD

Table A - Capacity

Option A	Capacity
1	1 Unit
2	2 Units
3	3 Units
4	4 Units
5	5 Units
6	6 Units
7	7 Units
8	8 Units

Table B - Enclosure Type

Option B	Enclosure Type
1	NEMA 4X Fiberglass
2	NEMA 4X 316 Stainless Steel
3	NEMA 4X 304 Stainless Steel
4	NEMA 7 Aluminum

Table C - Control/Power*

Option C	Control Type
1	Manual / 110 VAC
2	Automatic with Timer / 110 VAC

* 220 VAC available; UL 508 certification available

Table D - Options

Option D	Options
0	None
1	Status Contacts (Fill, Drain)
2	Status Contacts (Fill, Drain,) Fail
3	Status Contacts (Fill, Drain,) Fail, Auto