

94550 Combination Flame Arrester & Free Vent

The Shand & Jurs 94550 Combination Flame Arrester/Free Vent provides both positive fire stop and maximum venting in a compact fitting.

This Shand & Jurs fitting features an easily accessible, unitized tube bank. It's completely removable for quick inspection and servicing, even under severe conditions of unpredictable corrosion or neglect.

The tube bank consists of passages formed by spirally winding alternate flat and corrugated sheet stock around a solid core. To insure maximum flow, constant tension control is maintained during winding.

The tube bank is contained by its shell between the body and free vent adapter. The hood and adapter can be easily removed as a unit.

Standard body construction material choices include light weight cast aluminum, cast steel, 316 stainless steel, ductile iron and cast iron. Raised face or flat face flange for all materials except aluminum.

The Shand & Jurs 94550 Flame Arrester/Free Vent Combination fitting is available in 2", 3", 4", 6", 8", 10" and 12" sizes to match ANSI or EN1092-1 specifications.



Features

- One compact fitting for positive flame arrest & maximum flow venting
- Easily accessible, unitized tube bank
- Available in sizes 2" through 12" ANSI or EN1092-1 Flange Types
- Standard construction available in Cast Aluminum, Cast Steel, 316 Stainless Steel, Ductile Iron and Cast Iron
- FM Approved, NEC Group D gas

94550

Combination Flame Arrester & Free Vent



Specifications

*Sizes:

2", 3", 4", 6", 8", 10" and 12"

*Consult Factory for larger sizes

Max. Static Pressure:

5 PSIG Standard.

Flange Rating:

To match drilling of ANSI 125/150 lb. flat face or 150 lb. raised face (cast aluminum body option available with flat face only). EN1092-1 and JIS options.

Approval/Gas Application:

FM (Factory Mutual), NEC Group D

Materials of Construction

Body:

Cast Iron, Cast Steel, Cast Aluminum, or 316 Stainless Steel

Hardware:

18-8 Stainless Steel Standard
316 Stainless Steel (Optional)

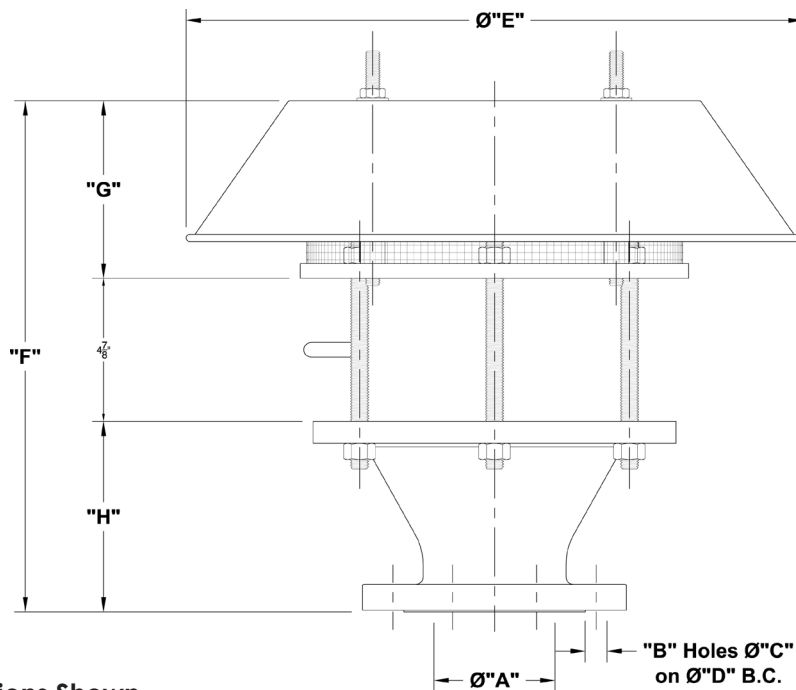
Tube

Aluminum with Aluminum Shell;
304 Stainless Steel with Steel Shell;
304 Stainless Steel with 304 Stainless Steel Shell;
316 Stainless Steel with 316 Stainless Steel Shell

Hood:

2"-3" Size: Stainless Steel
4"-12" Size: Aluminum
316 SS Optional

Outline Dimensions



ANSI 125/150 lb. Connections Shown

Vent Size	"A"	"B"	"C"	"D"	"E"	"F"	"G"	"H"
2"	2 1/4	4	3/4	4 3/4	16	17 3/8	7	4 1/4
3"	3 3/16	4	5/8	6	18 5/8	17 3/4	7	5 3/8
4"	4 1/8	8	3/4	7 1/2	20 1/16	17 7/8	6 3/8	6 1/2
6"	6 5/32	8	7/8	9 1/2	27 1/8	19 7/8	7 3/8	7 1/2
8"	8 11/64	8	7/8	11 3/4	29 1/4	24 7/16	9 5/8	9 13/16
10"	10 1/4	12	1	14 1/4	45 1/2	30 1/4	13 1/4	12
12"	12 3/8	12	1	17	45 1/2	32 1/4	13 1/4	14

All designs subject to change. Certified dimensions and specifications available upon request.



5911 Butterfield Road Hillside, IL 60162 • tel: (708) 236-6000 • fax: (708) 236-6006
sales@ljtechnologies.com • www.ljtechnologies.com • ISO 9001:2015 Certified

Rev: 94550-3E

94550 Ordering Guide

Model Number Selection

The model number will consist of a base number **94550** followed by 6 digit numbers. These digits will represent 2 option tables.

94550 - AB - CD - EF

Ordering Information

Specify:

1. Model 94550 Combination Flame Arrester & Free Vent
2. Size
3. Body Material
4. Tube Bank Material
5. Shell Material
6. Connection



Table AB - Body Material

Table CD - Tube Bank and Shell

Option AB	Size (Inches)	Body Material	Option CD	Tube Bank Material	Shell Material
12	2	Cast Aluminum	11	Aluminum	Aluminum
12	2	Cast Aluminum	22	304 Stainless Steel	Carbon Steel
32/42	2	Cast Iron / Ductile Iron	22	304 Stainless Steel	Carbon Steel
52	2	Cast Steel	22	304 Stainless Steel	Carbon Steel
32/42	2	Cast Iron / Ductile Iron	23	316 Stainless Steel	Carbon Steel
52	2	Cast Steel	23	316 Stainless Steel	Carbon Steel
62	2	Cast 316 Stainless Steel	44	316 Stainless Steel	316 Stainless Steel
14	3	Cast Aluminum	11	Aluminum	Aluminum
14	3	Cast Aluminum	22	304 Stainless Steel	Carbon Steel
34/44	3	Cast Iron / Ductile Iron	22	304 Stainless Steel	Carbon Steel
54	3	Cast Steel	22	304 Stainless Steel	Carbon Steel
34/44	3	Cast Iron / Ductile Iron	23	316 Stainless Steel	Carbon Steel
54	3	Cast Steel	23	316 Stainless Steel	Carbon Steel
64	3	Cast 316 Stainless Steel	44	316 Stainless Steel	316 Stainless Steel
15	4	Cast Aluminum	11	Aluminum	Aluminum
15	4	Cast Aluminum	22	304 Stainless Steel	Carbon Steel
34/45	4	Cast Iron / Ductile Iron	22	304 Stainless Steel	Carbon Steel
55	4	Cast Steel	22	304 Stainless Steel	Carbon Steel
35/45	4	Cast Iron / Ductile Iron	23	316 Stainless Steel	Carbon Steel
55	4	Cast Steel	23	316 Stainless Steel	Carbon Steel
65	4	Cast 316 Stainless Steel	44	316 Stainless Steel	316 Stainless Steel

Table AB - Body Material

Option AB	Size (Inches)	Body Material	Option CD	Tube Bank Material	Shell Material
16	6	Cast Aluminum	11	Aluminum	Aluminum
16	6	Cast Aluminum	22	304 Stainless Steel	Carbon Steel
36/46	6	Cast Iron / Ductile Iron	22	304 Stainless Steel	Carbon Steel
56	6	Cast Steel	22	304 Stainless Steel	Carbon Steel
36/46	6	Cast Iron / Ductile Iron	23	316 Stainless Steel	Carbon Steel
56	6	Cast Steel	23	316 Stainless Steel	Carbon Steel
66	6	Cast 316 Stainless Steel	44	316 Stainless Steel	316 Stainless Steel
17	8	Cast Aluminum	11	Aluminum	Aluminum
17	8	Cast Aluminum	22	304 Stainless Steel	Carbon Steel
37/47	8	Cast Iron / Ductile Iron	22	304 Stainless Steel	Carbon Steel
57	8	Cast Steel	22	304 Stainless Steel	Carbon Steel
37/47	8	Cast Iron / Ductile Iron	23	316 Stainless Steel	Carbon Steel
57	8	Cast Steel	23	316 Stainless Steel	Carbon Steel
67	8	Cast 316 Stainless Steel	44	316 Stainless Steel	316 Stainless Steel
18	10	Cast Aluminum	11	Aluminum	Aluminum
18	10	Cast Aluminum	22	304 Stainless Steel	Carbon Steel
38/48	10	Cast Iron / Ductile Iron	22	304 Stainless Steel	Carbon Steel
58	10	Cast Steel	22	304 Stainless Steel	Carbon Steel
38/48	10	Cast Iron / Ductile Iron	23	316 Stainless Steel	Carbon Steel
58	10	Cast Steel	23	316 Stainless Steel	Carbon Steel
68	10	Cast 316 Stainless Steel	44	316 Stainless Steel	316 Stainless Steel
19	12	Cast Aluminum	11	Aluminum	Aluminum
19	12	Cast Aluminum	22	304 Stainless Steel	Carbon Steel
39/49	12	Cast Iron / Ductile Iron	22	304 Stainless Steel	Carbon Steel
59	12	Cast Steel	22	304 Stainless Steel	Carbon Steel
39/49	12	Cast Iron / Ductile Iron	23	316 Stainless Steel	Carbon Steel
59	12	Cast Steel	23	316 Stainless Steel	Carbon Steel
69	12	Cast 316 Stainless Steel	44	316 Stainless Steel	316 Stainless Steel

Table CD - Tube Bank and Shell

Table EF - Flange Connection

Option EF	Type
77	ANSI 125/150lb. FF
88	ANSI 125/150lb. RF*
27	EN1092-1 PN16 FF
37	EN1092-1 PN16 RF*

*Note: Raised Face not available in aluminum

Note: Raised faced flanges with smooth finish are standard.
For optional serrated raised faced flanges, consult factory.

L&J Technologies or any of its subsidiaries assume no responsibility and shall not be liable for any damage, injury or death caused by the mis-application or improper installation of the products that it provides. Installation shall be per manufacturer's instructions in accordance to any applicable local, state or federal regulations. It is the responsibility of the purchaser to ensure these guidelines are followed and that the products are applied properly.