

94320 Dehydrator

The Shand & Jurs 94320 Dehydrator absorbs moisture from the air that is drawn into a storage tank during the unloading of product or by "thermal breathing" conditions.

Desiccant of high absorptive capacity is used as the drying agent. The hard ball shaped form of the desiccant minimizes the pressure drop, permitting more efficiency. This is a function of material surface area and retention time. The nature of the desiccant does not change the flow of gas up to the point of maximum saturation since the moisture is absorbed within the pores of the material. The desiccant is contained in a bank that can be easily removed for cleaning or maintenance.

The humidity indicator is a good barometer to monitor when the desiccant bed is saturated. To reactivate a saturated desiccant bed, heat the bed to 400°F until all moisture is vaporized. The desiccant can be subjected to thousands of absorption-reativation cycles without any appreciable loss of efficiency.

Specifications

Construction:

Aluminum

Water Vapor Capacity (Approx.):

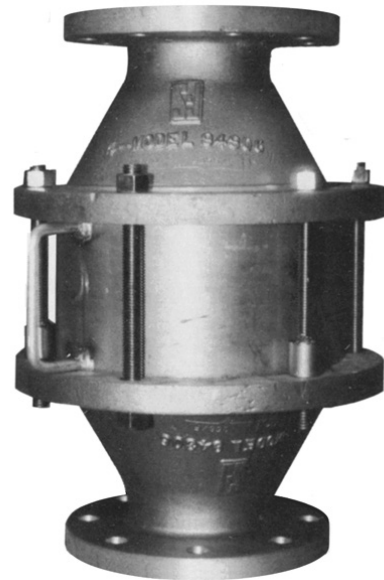
See Table 2

Desiccant capacity:

See Table 2

Dew point of dried air at design flow rate:

-100°F



Features

- Absorbs moisture drawn into storage tank during unloading or by "thermal breathing"
- Desiccant can be reactivated thousands of times without appreciable loss in efficiency
- Humidity indicator informs when desiccant bed should be changed
- Available in 2" to 12" ANSI sizes
- EN1092 / JIS Flange Connections available

Outline Dimensions

Dimensions (in Inches)			
Size	"C"	"F"	Weight (lbs.)
2"	13 $\frac{3}{8}$	$\frac{5}{8}$	18
3"	15 $\frac{5}{8}$	$\frac{3}{4}$	28
4"	17 $\frac{7}{8}$	$1\frac{1}{16}$	42
6"	19 $\frac{7}{8}$	1	82
8"	24 $\frac{1}{2}$	1 $\frac{1}{8}$	138
10"	28 $\frac{7}{8}$	1 $\frac{3}{16}$	252
12"	32 $\frac{7}{8}$	1 $\frac{1}{4}$	365

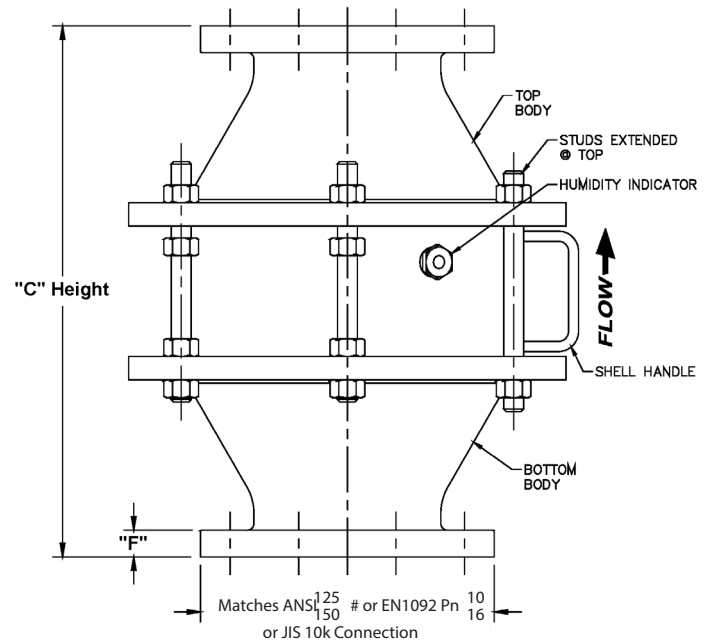


Table 2 - Absorption Capacities

Option AB	Size of Unit	Weight of Desiccant lbs/unit	Moisture Absorption Capacity lbs/unit	Temp. Range 50-90°F Relative Humidity Range 20-75%	Temp. Range 50-90°F Relative Humidity Range 20-75%
				40 Grains Moisture per Pound of Air (Gallons Withdrawn)	130 Grains Moisture per Pound of Air (Gallons Withdrawn)
01	2"	2.4	0.384	6,740	2,070
02	3"	4.2	0.672	11,770	3,630
03	4"	6.4	1.025	18,000	5,540
04	6"	19.8	3.17	55,600	17,130
05	8"	34.8	5.57	97,800	30,100
06	10"	69.5	11.12	195,000	60,200
07	12"	97.7	15.62	274,000	84,100

All designs subject to change. Certified dimensions and specifications available upon request

94320 Ordering Guide

Model Number Selection

The model number will consist of a base number **94320** followed by 2 digit numbers. These digits will represent 1 option table.

94320 - AB

Ordering Information

Specify:

1. Model 94320 Dehydrator
2. Size
3. Body Material
4. Connection Type

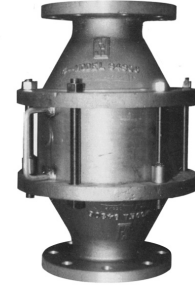


Table AB - Size

Option AB	Size	Description
01	2"	Aluminum Body and Shell Activated Alumina Elements
02	3"	
03	4"	
04	6"	
05	8"	
06	10"	
07	12"	

Body and hardware material available in other materials.
Consult Factory.