

94308

Miniature Flame Arrester

SHAND & JUR'S

94308 Miniature Flame Arrester

The Shand & Jurs 94308 Miniature Flame Arrester plays an integral function on small storage tanks and drums where low flash point solvents must be protected against flashback from exterior sources of ignition. This arrester also allows vapor pressure to be released into the atmosphere.

Because of its uniquely small size, the 94308 Flame Arrester can be easily mounted on the end of a tank vent pipe. Vapors escape into the atmosphere and air is drawn into the tank through the flame arrester grid assembly. The tank contents are also protected against possible outdoor ignition sources.

Standard construction consists of lightweight aluminum housing and flame arrester plates. Stainless steel and other metal housings and arrester plates are available for corrosive vapor or atmospheric conditions. Plates are fabricated from heavy gauge metal to resist distortion and bending during inspection and cleaning. This also ensures positive reassembly to original factory specifications.

The Miniature Flame Arrester is available in 1" & 2" sizes and is equipped with standard N.P.T. connections. Adapter flanges are also available in these sizes.

Specifications

Sizes:

1", 2"

Mounting:

NPT (Standard), RF/FF option

Gas Application:

NEC Group D

Approvals:

Materials of Construction

Body:

Aluminum or Stainless Steel

Flame Arrester Plates:

Aluminum or Stainless Steel



Features

- Easy installation and handling for inspection
- Heavy gauge metal plates provide precision flame arresting
- Available in aluminum or stainless steel
- Available in sizes 1" & 2"
- Relieves tank structure from pressure build-ups
- FM Approved

SHAND & JUR'S

5911 Butterfield Road Hillside, IL 60162 • tel: (708) 236-6000 • fax: (708) 236-6006
sales@ljtechnologies.com • www.ljtechnologies.com • ISO 9001: 2015 Certified

Rev: 94308-3C

94308 Ordering Guide

Model Number Selection

The model number will consist of a base number **94308** followed by 4 digit numbers. These digits will represent 2 option tables.

94308 - AB - CD

Ordering Information

Specify:

1. Model 94308 Miniature Flame Arrester
2. Size and Body Material
3. Connection



Table AB - Size and Body

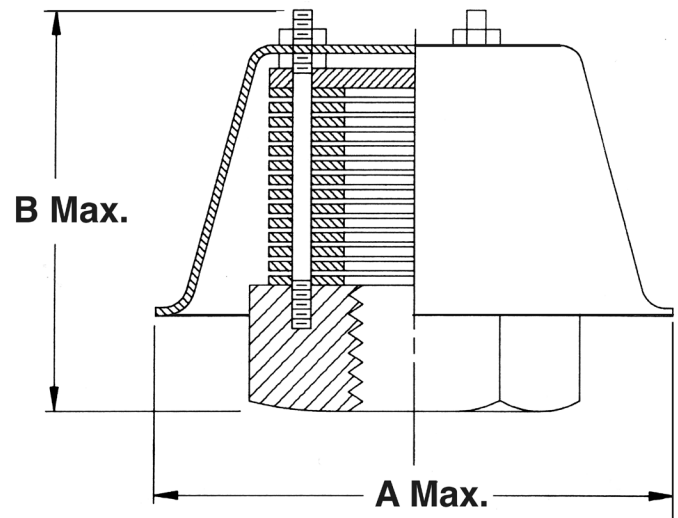
Option AB	Size	Construction Material
01	1"	Aluminum
02	1"	316 Stainless Steel
04	2"	316 Stainless Steel

Table CD - Connection

Option CD	Connection
00	Threaded, NPT
01	FF, 150 lb. ANSI
02	RF, 150 lb. ANSI

Outline Dimensions

Dimensions in Inches		
Pipe Size	A	B
1"	7 1/2	4 1/8
2"	13 5/8	5 1/2



All designs subject to change. Certified dimensions and specifications available upon request.

L&J Technologies or any of its subsidiaries assume no responsibility and shall not be liable for any damage, injury or death caused by the mis-application or improper installation of the products that it provides. Installation shall be per manufacturer's instructions in accordance to any applicable local, state or federal regulations. It is the responsibility of the purchaser to ensure these guidelines are followed and that the products are applied properly.