

92051 Marine Tank Level Gauge

Over the years Shand & Jurs has provided the marine industry with more float-type gauges than any other manufacturer. Level measurement instruments operating on bulk carriers, product carriers, crude carriers, chemical carriers, ore/bulk/oil carriers, and LNG carriers provide us with the expertise required for the safe handling of liquids for today's tankers.

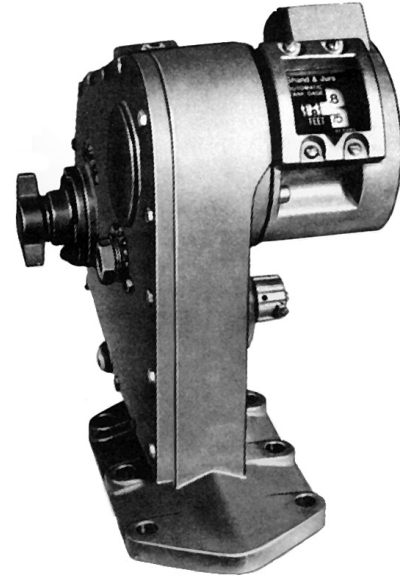
Increased load efficiency, reliability and most of all reduced maintenance are essential for economical ship operation.

To meet these requirements Shand & Jurs provides the Model 92051 Marine Tank Level Gauge, the most accurate, reliable and maintenance free float gauge ever.

The Model 92051 allows consistent, accurate and reliable gauging of cargo tanks without loss of vapor. Its' unmatched accuracy over the entire 120 foot measuring range makes this gauge ideal for loading, topping off, discharge and ballasting operations. No special requirements are necessary for mounting; it mounts directly on deck or trunk. Clearance for compact float and guide wires or properly vented stilling well are the only requirements.

The Model 92051 provides for local direct readout through the use of digital counters. Numerals are large and clearly visible through a heavy sealed sight window. Readings are in feet and inches to 1/16 inch increments; meters and millimeters or decimal feet. Remote transmission can be accomplished by simply mounting a level transmitter to the gauge counter housing.

Following the gauging operation it is necessary to raise the float to a locked position safely beneath the level gauge. This is accomplished using a removable ratchet-type float lifter.



Features

- Oil impregnated bronze bearings for greater dependability and extended service
- Reliable simple float release mechanism
- Spring-loaded float connector
- Local digital readout/adaptable remote readout
- Removable float lifter prevents unauthorized use of gauge
- Meet specifications and approvals of marine regulatory agencies

Specifications:

Maximum Pressure:
10 PSIG

Temperature Range:
-60°F to +140°F (-51°C to +60°C)

Gauging Range:
Standard to 120 feet (40M)

Accuracy:
1/8" float travel indication

Materials of Construction:

**Gauge Body, Cover, Counter Housing,
Tape Reel, Sprocket Wheel:**
Cast Bronze

**Sprocket Pins, Constant Tension Spring,
Tape and Shafts:**
Stainless Steel

Hardware:
Bronze and Stainless Steel

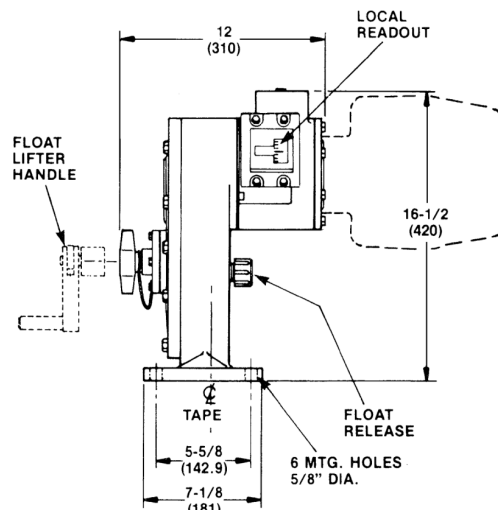
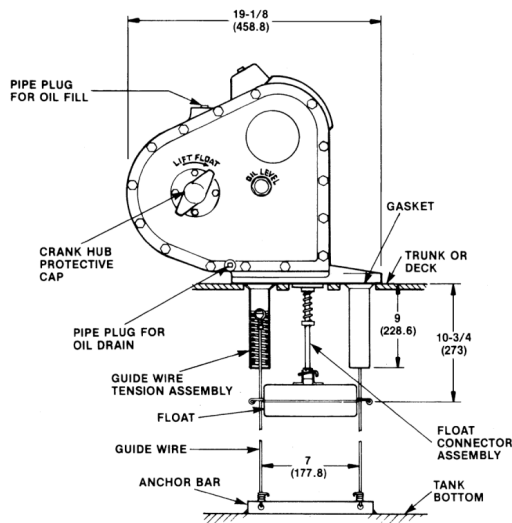
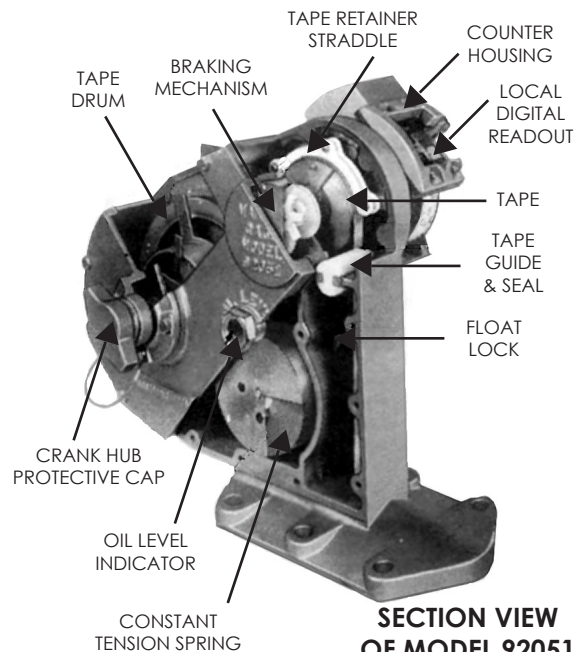
Bearings:
Bronze

"O" Rings:
Buna-N

Seal:
Teflon

* Other Materials Available on special request.

Outline Dimensions:



All designs subject to change. Certified dimensions and specifications available upon request.

92051 Ordering Guide

Model Number Selection

The model number will have a base number 92051 followed by 6 digit numbers. These digits will represent 4 sets of option tables.

92051 - AB - CD - EF

Ordering Information

Specify:

1. Model 92051 Marine Tank Level Gauge
2. Readout:
 - A) Local Only
 - B) Local and Remote
 - C) Unit of Measure:
Feet and Inches; Meters and Millimeters; or Decimal Feet
 - D) Maximum Gauging Range
 - E) Innage or Ullage
3. Installation:
 - A) Gauge Head Only:
Includes - Tape and Float Connector
 - B) Standard Mounting
Includes - Tape, Float Connector, Float, Guide Wires, Guide Wire Assembly and Anchor Bar
 - C) Stilling Well Mounting
4. Accessories:
 - A) Float Lifter Handle Kit
 - B) Service Kit
 - C) Operational Plaque

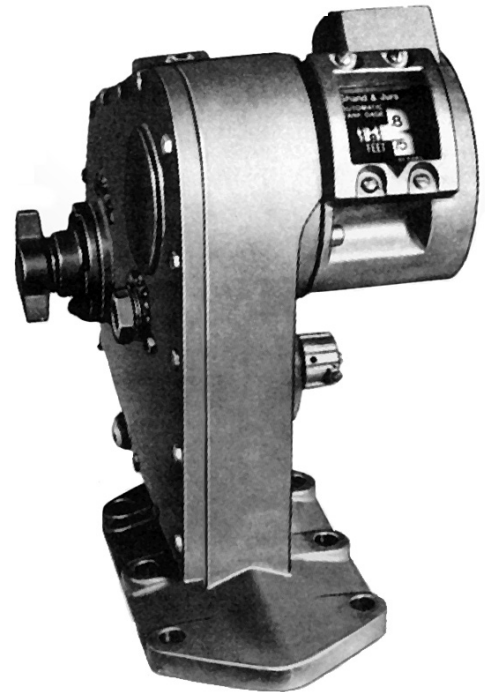


Table AB - Gauge Head

Option AB	Description
01	Brass Gauge Head
02*	Brass Gauge Head with Provision for mounting Transmitter on the housing

* Use Option #02 only when a transmitter is ordered with the gauge head

Table C - Readout and Calibration*

Option C	Readout	Calibration
1	Ullage	Feet & Inches
5	Ullage	Metric

* Decimal feet and other readout and calibration available on request.

Table D - Maximum Tank Height

Option D	Maximum Tank Height
1	20 Feet or 6 Meters
2	30 Feet or 9 Meters
3	40 Feet or 12 Meters
4	50 Feet or 15 Meters
5	66 Feet or 20 Meters
6	80 Feet or 24 Meters
7	90 Feet or 27 Meters
8	99 Feet or 30 Meters
9	120 Feet or 40 Meters

* Option includes tape, guide wire and spring assemblies and negator spring assembly.

Table EF - Type of Installation

Option EF	Description
01	Standard Mounting**

** Standard mounting includes float connector, float & anchor bar.
NOTE: For stilling well installation, Consult Factory.

Accessories

Model Number	Description
9205-12490	Float Lifter Handle Kit
9205-11310	Service Kit - to 60 Feet
9205-11311	Service Kit - to 99 Feet
9205-11312	Service Kit - to 120 Feet
9205-11313	Service Kit - to 20 Meters
9205-11314	Service Kit - to 40 Meters

NOTES: It is recommended that one service kit (model 9205-1131X) be ordered for each ship. Select for appropriate tank height.
It is also recommended that one float lifter handle kit (model 9205-12490) be ordered for each ship.