

92030

Automatic Tank Gauge (High Pressure)

SHAND & JUR'S

92030 Automatic Tank Gauge (High Pressure)

The Shand & Jurs Model 92030 Automatic Tank Level Gauge is a float actuated tape driven gauge. Through the use of digital counters float travel is accurately indicated to 1/16 of an inch over the entire tank range.

Model 92030 is designed for high pressure applications such as 150 psig and 300 psig. To provide local digital readout a unique magnetic drive is incorporated. This magnetic drive prevents high pressure and hazardous vapors from entering the counter housing.

Many outstanding features are included, such as a standard operational checker for ensuring a "free" working system. Provisions for high and low limit switches or simple coupling of a level transmitter for remote transmission, or a hand crank for manually raising the float is available.

To complete a gauging system, additional accessory items are necessary; these are available in "kit" forms and are designed to fit most tank configurations.

Tank Gauge:

Type of Service:

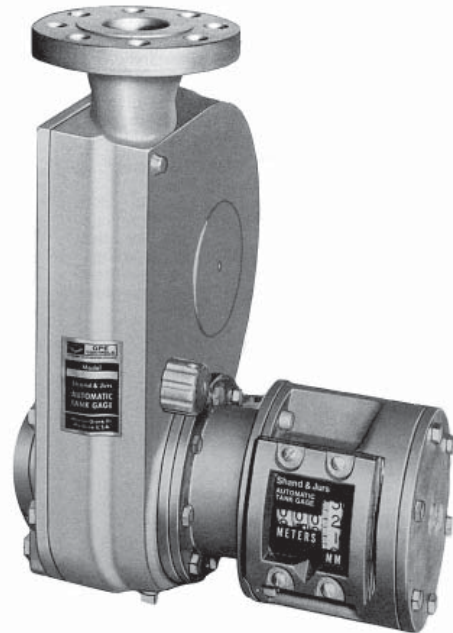
150 PSIG without Hand Crank
150 PSIG with Hand Crank
300 PSIG without Hand Crank
300 PSIG with Hand Crank

Temperature Range

-30°F to 160°F

Gauging Range:

to 99 feet (Standard)
to 30 meters (Standard)



Features

- Continuous accurate readings as Specified in API 2509 B.
- Pressure Ratings for 150 and 300 lb. service.
- Stainless Steel Shafts and Teflon bearings assure maintenance free operation.
- Mounting brackets and gauging system "kits" reduce installation cost

SHAND & JUR'S

5911 Butterfield Road Hillside, IL 60162 • tel: (708) 236-6000 • fax: (708) 236-6006
sales@ljtechnologies.com • www.ljtechnologies.com • ISO 9001: 2008 Certified

Rev: 92030-3A

Materials of Construction:

Body and Cover:

Cast Steel

Counter Housing:

Brass

Tape Reel & Sprocket Wheel:

Cast Aluminum

Perforated Tape, Hardware and Shafts,
Constant Power Spring & Sprocket Pins:

Stainless Steel

Bearings:

Teflon

Accessory Kit:

Type of Service:

150 PSIG and 300 PSIG

Materials of Construction:

Body and Cover:

Cast Steel

Pulley:

Aluminum

Shaft:

Stainless Steel

Bearings:

Teflon

Guide Wire Assembly:

Tube, Washer, Retainer & Mounting Bracket:

Steel

Float:

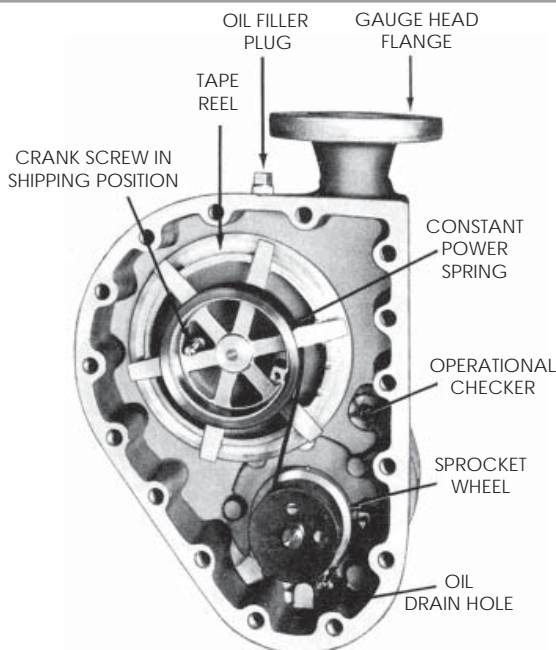
Tubular aluminum 18-3/8" centers with guides.
Maximum pressure range 250 PSI*

*Consult factory for higher pressures

Spring & Anchor Bar:

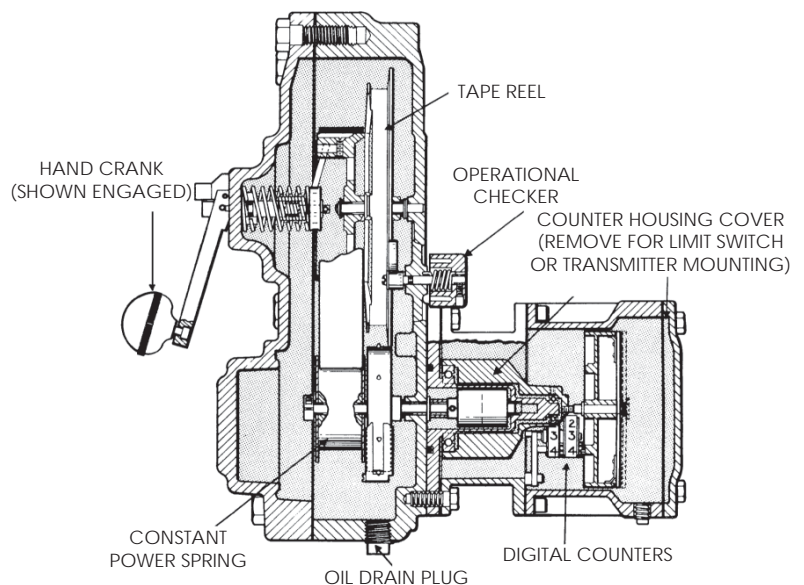
Stainless Steel

Dimensions:



GAUGE HEAD SHOWN WITH COVER REMOVED
DEMONSTRATES EASY ACCESSIBILITY OF INTERNALS

CROSS-SECTION VIEW SHOWS UNIQUE HAND CRANK
AND MAGNETIC DRIVE MOTOR CONFIGURATION



All designs subject to change. Certified dimensions and specifications available upon request.

92030

Automatic Tank Gauge (High Pressure)

SHAND & JURS

Select Kit Number per your Tank Requirements

Ground Reading Non-Turbulent Tanks:

Kit No. 1A:

150 lb. service

Kit No. 1B:

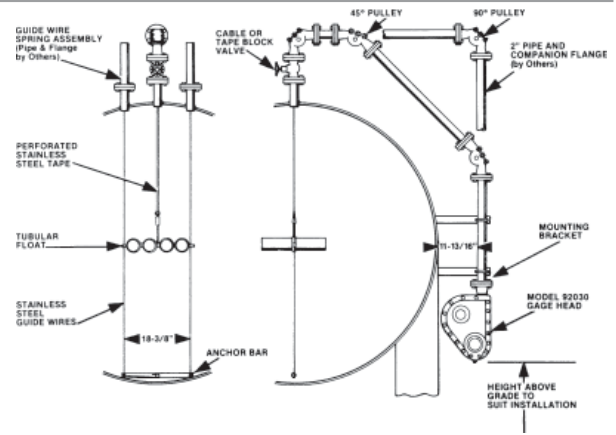
300 lb. service includes two 90° pulleys.
(Requires tape block valve*)

Kit No. 2A:

150 lb. service

Kit No. 2B:

300 lb. service includes two 45° pulleys; one 90° pulley.
(Requires tape block valve*)



Ground Reading Turbulent Tanks:

Kit No. 3A:

150 lb. service

Kit No. 3B:

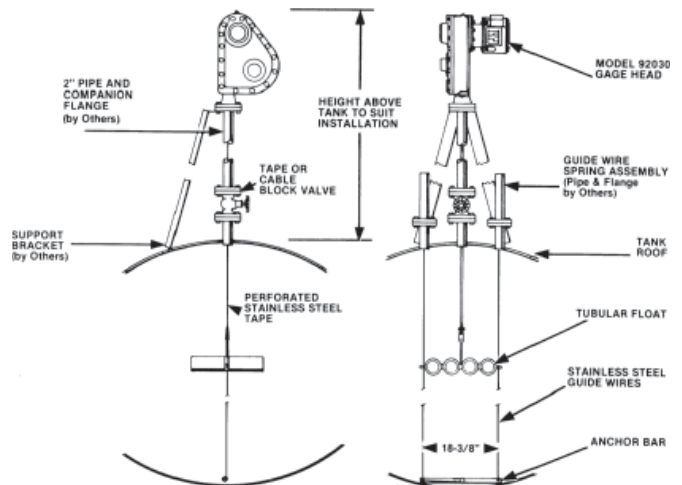
300 lb. service includes two 90° pulleys.
(Requires cable block valve*)

Kit No. 4A:

150 lb. service

Kit No. 4B:

300 lb. service includes two 45° pulleys; one 90° pulley.
(Requires cable block valve*)



Roof Reading Non-Turbulent Tanks:

Kit No. 5A:

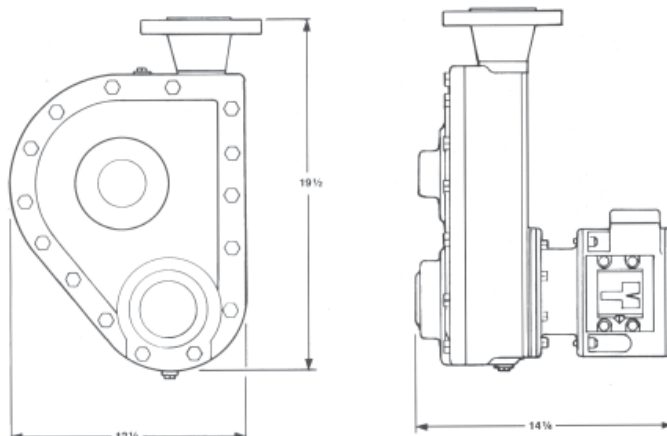
150 LB. service

Kit No. 5B:

300 LB. service requires tape block valve*

*NOTE: Tape or cable block valves must be specified separately. They are not included with kits.

Outline Dimensions:



All designs subject to change. Certified dimensions and specifications available upon request.

SHAND & JURS

5911 Butterfield Road Hillside, IL 60162 • tel: (708) 236-6000 • fax: (708) 236-6006
sales@ljtechnologies.com • www.ljtechnologies.com • ISO 9001: 2008 Certified

Rev: 92030-3A

92030 Ordering Guide

Model Number Selection

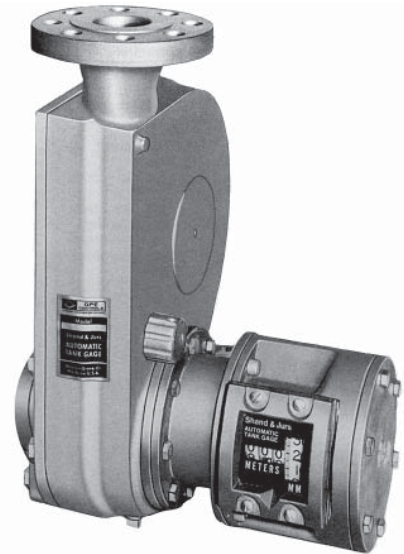
The model number will have a base number 92030 followed by 6 digit numbers. These digits will represent 4 sets of option tables.

92030 - AB - CD - EF

Ordering Information

Specify:

1. Model 92030 Automatic Tank Gauge
2. Type of Gauge and Service:
150 lb. or 300 lb.
With or Without Hand Crank
3. Type of Calibration
Feet and Inches; Decimal Feet or Metric
4. Type of Readout:
A) Innage or Outage
B) Maximum Tank Height
5. Type of Installation:
A) Gauge Head Only
(Without Tape and Guide Wire)
B) Ground Reading
C) Roof Reading
D) Turbulent Tanks*



*Use Kits 3 or 4 Only.

Materials of Construction - Gauge Head

Service	Body	Cover	Housing	Reel	Sprocket	Hardware
150 lb.	CS	CS	BRASS	CA	CA	SS
300 lb.	CS	CS	BRASS	CA	CA	SS

Sprocket pin, negator motor, guide wires, tape, and shafts are all SS. Bearings are all Teflon

CS = Cast Steel
CA = Cast Aluminum
SS = Stainless Steel

Table AB - Gaugehead

Option AB	Description
01	Without Hand Crank (150 PSI Service)
02	With Hand Crank (150 PSI Service)
11	Without Hand Crank (300 PSI Service)
12	With Hand Crank (300 PSI Service)

Table C - Readout and Calibration

Option C	Calibration	Reading
0	Feet and Inches	Innage
1		Outage
2	Decimal Feet	Innage
3		Outage
4	Metric	Innage
5		Outage

Table D - Tank Height

Option D	Description
1	20 Feet or 6 Meters
2	30 Feet or 9 Meters
3	40 Feet or 12 Meters
4	50 Feet or 15 Meters
5	66 Feet or 20 Meters
6	80 Feet or 24 Meters
7	90 Feet or 27 Meters
8	99 Feet or 30 Meters

Table EF - Type of Installation

Option EF	Description
00	Gauge head only (Without Tape)
01	Ground Reading (All Tape)
03	Roof Reading (All Tape)
04	Turbulent Tank (Ammonia, LPG, etc.)* (Cable/Tape)

* Use with Kit 3 or 4 only

Kit Number 1 - Ground Reading, Non-Turbulent Tank With Two 90° Pulleys

Description	Number Required	Kit 1A 150 PSI	Kit 1B 300 PSI
Float	1	JC3065-1	JC3065-1
Pulley Assembly 2" 90°	2	JC3564-1	JC3564-2
Tape Clamp	1	090142	090142
Tape Thimble	1	514-504	514-504
Guide Wire Spring Assembly	2	JB3485-21	JB3485-21
Anchor Bar	1	JA3540-1	JA3540-1
Gauge Mounting Bracket	1	9399-15030	9399-15030
Tape Block Valve	1	93421-11	93421-12*

* Block Valve NOT INCLUDED in Kit

Kit Number 2 - Ground Reading, Non-Turbulent Tank With One 90° & Two 45° Pulleys

Description	Number Required	Kit 2A 150 PSI	Kit 2B 300 PSI
Float	1	JC3065-1	JC3065-1
Pulley Assembly 2" 45°	2	JC3573-1	JC3573-2
Pulley Assembly 2" 90°	1	JC3564-1	JC3564-2
Tape Clamp	1	090142	090142
Tape Thimble	1	514-504	514-504
Guide Wire Spring Assembly	2	JB3485-21	JB3485-21
Anchor Bar	1	JA3540-1	JA3540-1
Gauge Mounting Bracket	1	9399-15030	9399-15030
Tape Block Valve	1	93421-11	93421-12*

* Block Valve NOT INCLUDED in Kit

Kit Number 3 - Ground Reading, Turbulent Tank With Two 90° Pulleys

Description	Number Required	Kit 3A 150 PSI	Kit 3B 300 PSI
Float	1	JC3065-1	JC3065-1
Pulley Assembly 2" 90°	2	JC3564-1	JC3564-2
Tape Clamp	1	090142	090142
Tape Thimble	1	514-504	514-504
Guide Wire Spring Assembly	2	JB3485-21	JB3485-21
Anchor Bar	1	JA3540-1	JA3540-1
Gauge Mounting Bracket	1	9399-15030	9399-15030
Cable Block Valve	1	93421-21	93421-22*

* Block Valve NOT INCLUDED in Kit

Kit Number 4 - Ground Reading, Turbulent Tank With One 90° & Two 45° Pulleys

Description	Number Required	Kit 4A 150 PSI	Kit 4B 300 PSI
Float	1	JC3065-1	JC3065-1
Pulley Assembly 2" 45°	2	JC3573-1	JC3573-2
Pulley Assy 2" 90°	1	JC3564-1	JC3564-2
Tape Clamp	1	090142	090142
Tape Thimble	1	514-504	514-504
Guide Wire Spring Assembly	2	JB3485-21	JB3485-21
Anchor Bar	1	JA3540-1	JA3540-1
Gauge Mounting Bracket	1	9399-15030	9399-15030
Cable Block Valve	1	93421-21	93421-22*

* Block Valve NOT INCLUDED in Kit

Kit Number 5 - Roof Reading, Non-Turbulent Tank

Description	Number Required	Kit 5A 150 PSI	Kit 5B 300 PSI
Float	1	JC3065-1	JC3065-1
Tape Clamp	1	090142	090142
Tape Thimble	1	514-504	514-504
Guide Wire Spring Assembly	2	JB3485-21	JB3485-21
Anchor Bar	1	JA3540-1	JA3540-1
Tape Block Valve	1	93421-11	93421-12*

* Block Valve NOT INCLUDED in Kit