



## GdYW]ÚWUh]cbg

Size	Valve	2" or 3"	4"	6"	8"	10"
	Flange	2", 3" or 4"	4" or 6"	6" or 8"	8", 10", 12" or 14"	10", 12", or 14"
Type of Service		LP - Gas and/or Ammonia				
Temperature Range		-20F to +150F		-50F to +150F		
Base		Standard		Special		
Piston		Spring Steel		Stainless Steel		
Main Spring		Aluminum		Aluminum		
Adapter Sleeve		Aluminum		Aluminum		
Bonnet		Aluminum		Stainless Steel		
Plunger, Spring (Hydraulic)		Stainless Steel		Stainless Steel		
Hydraulic Seals		Teflon		Teflon		
Valve Seal		See Table IIb		See Table IIb		

### SPECIFICATIONS

#### Operating Pressure:

Range: 450 to 975 PSIG.  
 Maximum Pressure: 1100 PSIG.  
 Burst Pressure: 1500 PSIG.

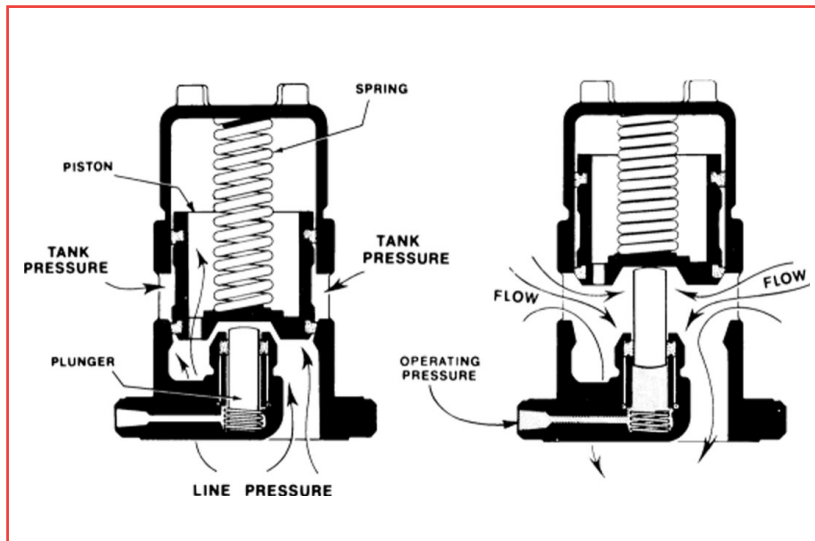
Operating Fluid: Mineral Oil or Synthetic Fire Resistant Fluid.

#### Maximum Product Pressure:

250/375 PSIG.  
 Product Temperature Range: -20° to 150°F. (STD)  
 Flange (Table III): Raised Face to Match ANSI 150/300 lb. class.

TANK VALVE SIZE INCHES	TANK MTG.	IN-LINE MTG.
	CV	
2	75	68
3	165	123
3 x 4	165	142
4	290	245
4 x 6	290	267
6	635	493
6 x 8	635	571
8	1120	878
8 x 10	1120	938
8 x 12	1120	943
8 x 14	1120	952
10	1612	1264
10 x 12	1612	1362
10 x 14	1612	1362

### Principle of Operation



to the plunger which moves to open the normally closed piston.

Quick shutoff is accomplished by the following remote controlled mechanism:

1. Fusible plug(s) in the operating hydraulic line which release at a predetermined temperature;
2. Frangible element(s) which can be quickly snapped off by hand;
3. A quick manual release on the hydraulic line;
4. Fail-safe pneumatic operator for remote valve closure.
5. Remote through special solenoid valve.

Operating pressure to fully open valve ranges from 450 to 975 psig depending on product pressure and tank size.





