

- Positive seal
- Freeze-proof
- Non-clogging
- Easy servicing
- Corrosion resistant

## The Shand & Jurs Model 96181 Water Drain Valve

The Shand & Jurs Model 96181 Water Drain Valve is designed to provide high flow capacity, leak-proof shutoff and non-freezing operation.

Shand & Jurs “Non-Freezing” valves utilize a double valve construction, which operates on the same stem permitting the inner valve to seat first. This action allows the valve chamber to drain sufficiently before the outer valve is closed. An exceptional tight seal is maintained, due to the resilient rugged glass-filled Teflon seat disc on both the inner and outer valve.

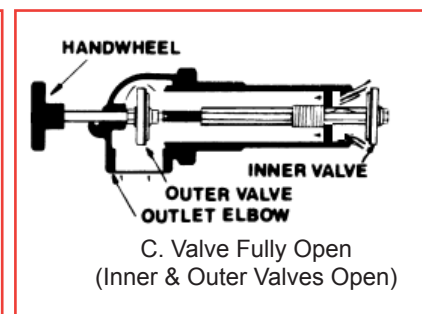
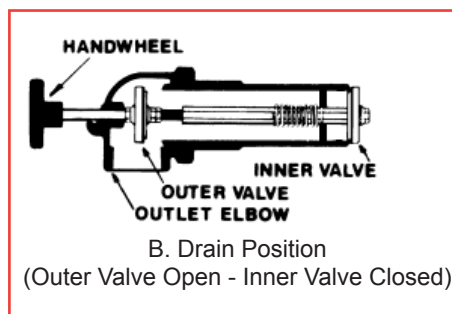
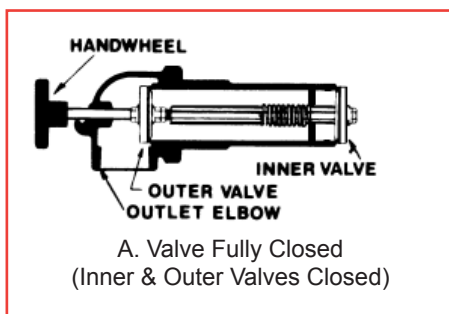
Many unique design features have been incorporated, such as servicing the outer valve without removing valve body from tank. Flushing

action is obtained by simply pushing on the handwheel with the outer valve open. This momentarily opens the inner valve and flushes any foreign particles off the inner valve seat. There are also provisions for padlocking the valve into a non-operative position.

Model 96181 is available with either threaded or flanged mounting connections for 2”, 3” and 4” valve sizes.

Stem Seal - Stem seal nylon retainer with two Buna-N O-Rings, provides a leak tight section, allowing for discharge piping to be connected to auxiliary equipment.

### Principle of Operation



### MATERIALS OF CONSTRUCTION:

Body: ..... Steel, with 316SS Seat Overlay	Seat Disc: ..... Glass Filled Teflon
Seat Retainer: ..... Brass, SS Option	Stem Seal: ..... Nylon/Buna-N
Outlet Elbow: ..... Ductile Iron- Painted	Washer: ..... Nylon
Stem, Spring, Groove-Pin: ..... Stainless Steel	
Seat Disc Retainer, Coupling: ..... Brass, SS option	
Retainer, Post, Nut, Spacer: ..... Plated-Steel, SS option	
Handwheel: ..... Aluminum	

### SPECIFICATIONS:

Maximum Pressure: ..... 50 psig  
 Maximum Temperature: ..... 250°F

## Suggested Types of Installations

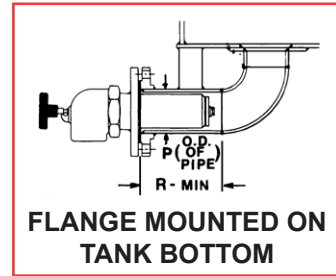
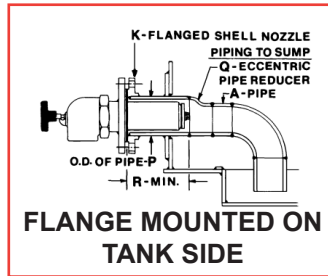
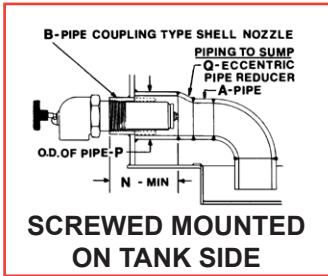
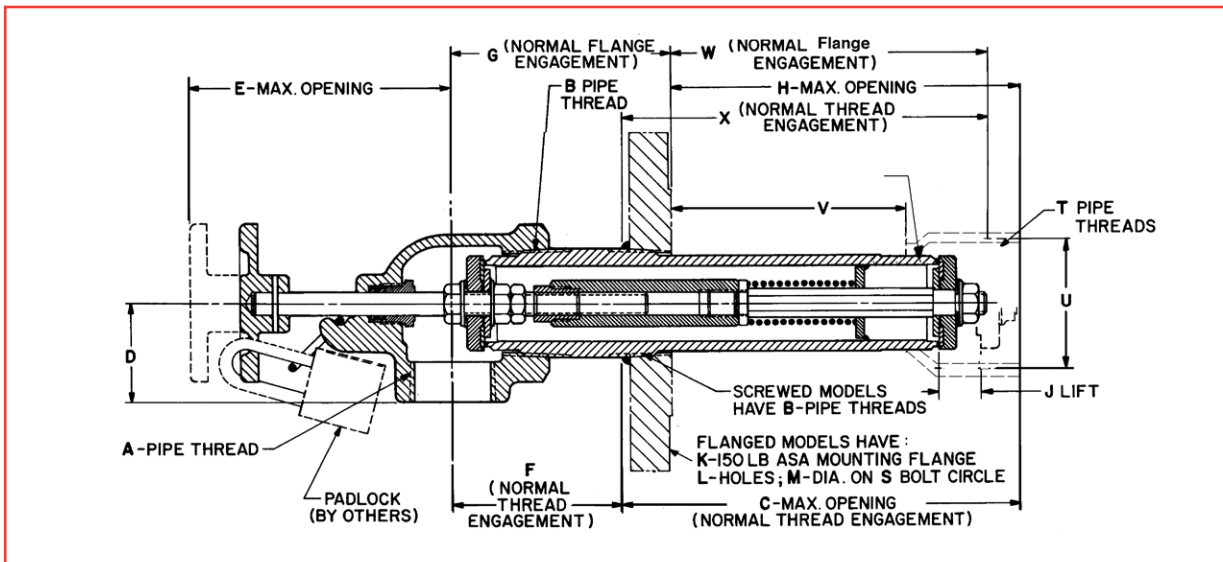


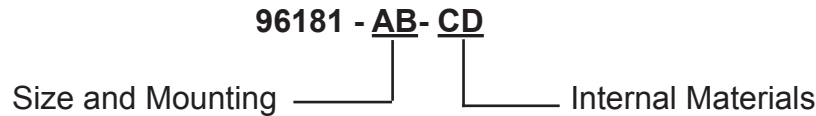
Table of Dimensions																						
Size	A	B	C	D	E	F	G	H	J	K	L	M	N	P	Q	R	S	T	U	V	W	X
2"	1 1/2	2	9	2 3/16	5 7/8	3 5/8	4 3/8	8 1/4	3/4	3	4	3/4	9 1/4	3 1/2	3 x 1 1/2	8 1/2	6	2 1/2	1 1/2	5 3/16	11 3/8	12 5/16
3"	2 1/2	3	8 7/8	2 7/8	5 3/4	4 1/2	5 1/2	7 7/8	7/8	4	8	3/4	9	4 1/2	4 X 1 1/2	8	7 1/2	3 1/2	2 1/2	4 9/16	13 5/16	14 1/4
4"	3	4	8 7/8	3 5/8	6 3/8	4 7/8	6	7 3/4	1 1/8	6	8	7/8	8 1/8	6 5/8	6 X 3	7	9 1/2	5	3 1/2	4 1/4	14 3/8	15 3/8



All designs subject to change. Certified dimensions and specifications available upon request

### MODEL NUMBER SELECTION:

The model number will consist of a base number 96181 followed by 4 digits which represent the options listed in the following tables.



### ORDERING INFORMATION

Specify:

1. Model 96181 Water Drain Valve
2. Size: 2", 3" or 4"
3. Type of Mounting: Threaded or Flanged
4. Accessories, as Required



**TABLE I - (AB) SIZE AND MOUNTING**

OPTION #	DESCRIPTION	SHIP WT #
01	2" VALVE WITH 2" NPT	17
02	2" VALVE WITH 3" FLANGE	17
03	3" VALVE WITH 3" NPT	26
04	3" VALVE WITH 4" FLANGE	26
05	4" VALVE WITH 4" NPT	34
06	4" VALVE WITH 6" FLANGE	34
07	2" VALVE WITH 4" FLANGE	20
08	3" VALVE WITH 6" FLANGE	30
09	4" VALVE WITH 8" FLANGE	40

**TABLE II - (CD) INTERNAL MATERIAL**

OPTION #	MATERIALS
00	STANDARD
01	SS

**GENERAL SPECIFICATIONS:**

- |    |                                |            |
|----|--------------------------------|------------|
| A. | MAXIMUM PRESSURE               | 50 PSIG    |
| B. | MAXIMUM TEMPERATURE            | 150 F      |
| C. | AVERAGE HANDWHEEL SHEAR TORQUE | 750 IN/LBS |
|    | MAXIMUM NORMAL HAND TORQUE     | 150 IN/LBS |
| D. | BODY MATERIAL- PAINTED         |            |
|    | STEEL, SS OVERLAY SEATS        |            |
| E. | OUTLET ELBOW - PAINTED         |            |
|    | DUCTILE IRON                   |            |

### VALVE SIZE AND MOUNTING

VALVE SIZE	VALVE MOUNTING	OUTLET CONNECTION	INLET CONNECTION
2"	2" NPT OR 3" FLANGE	1 1/2" NPT	1 1/2" NPT
3"	3" NPT OR 4" FLANGE	2 1/2" NPT	2 1/2" NPT
4"	4" NPT OR 6" FLANGE	3" NPT	3 1/2" NPT

### ADAPTER (To Connect to In-Tank Piping)

MODEL #	DESCRIPTION
9618-11150	2 Inch
9618-11151	3 Inch
9618-11152	4 Inch