



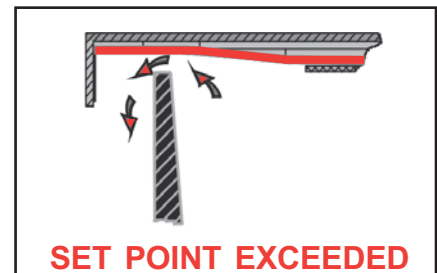
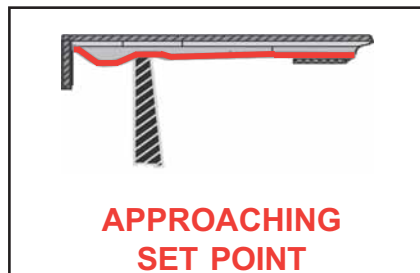
- Cost effective, dual purpose
- Provides emergency pressure relief
- Positive acting magnetic latch
- Features Shand & Jurs Expanda-Seal design
- Serves as a barrier between external flame and internal vapors
- Provides protection against flashback
- Sizes 2" thru 6"

The Shand and Jurs Model 94580 Combination Emergency Vent & Flame Arrester

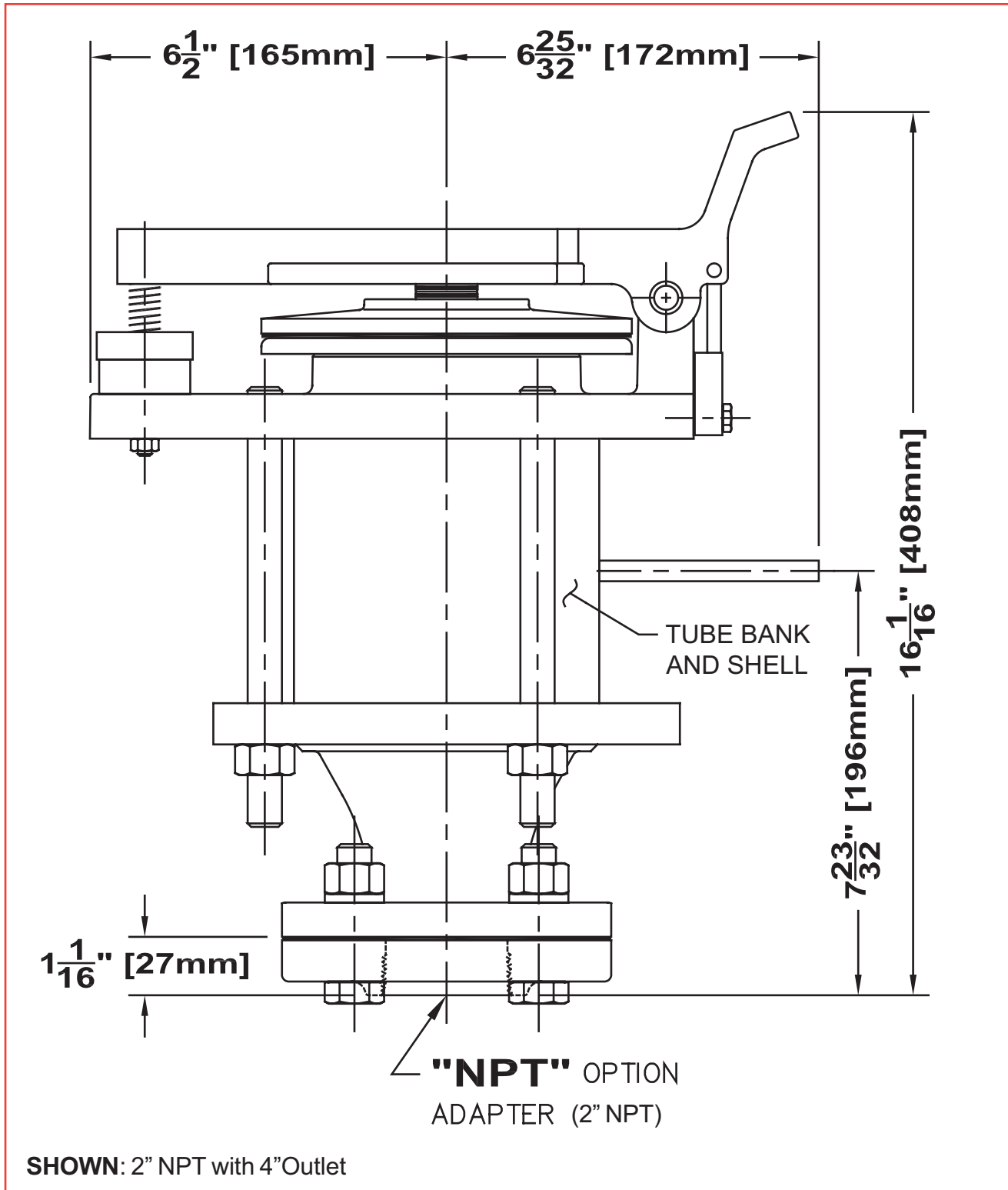
The Shand and Jurs Model 94580 Combination Emergency Vent & Flame Arrester is a single, easy to configure package, providing for emergency pressure venting as well as positive flame stop on low pressure tanks containing flammable liquids or solvents having a low flash point.

The magnetically latched emergency vent provides lightweight, cost effective emergency venting.

The unitized tube bank provides maximum flow while minimizing pressure drop and is designed for NEC Group D vapor applications. Both body and tube banks are available in numerous materials to meet the requirements of your site.



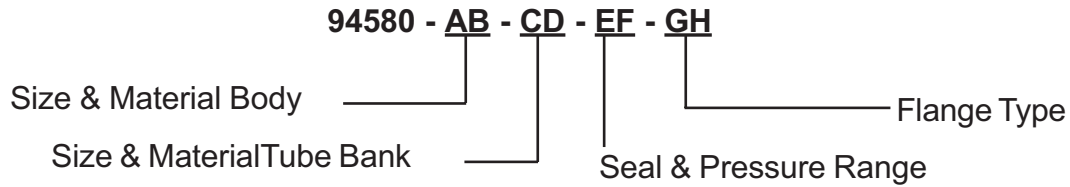
Shand & Jurs "Expanda-Seal" option is standard on pressure pallet assemblies. This feature, shown in red, significantly reduces leakage. The ballooning effect of the teflon diaphragm effectively seals the valve. The "Expanda-Seal" feature ensures less than .5 SCFH of leakage at 95% of the set point.



All designs subject to change. Certified dimensions and specifications available upon request

MODEL NUMBER SELECTION:

The model number will consist of a base number 94580 followed by four 2 digit numbers which represent the options listed in the following tables.



ORDERING INFORMATION

Specify:

1. Model 94580 Magna Vent & Flame Arrester
2. Size
3. Material
4. Flange Type
5. Pressure Range



TABLE I - (AB) SIZE AND BODY

OPTION #	SIZE (INCHES)	BODY MATERIAL
12	2	ALUMINUM
14	3	ALUMINUM
15	4	ALUMINUM
16	6	ALUMINUM
32	2	CI
52	2	CS
42	2	316 SS
34	3	CI
54	3	CS
44	3	316 SS
35	4	CI
55	4	CS
45	4	316 SS
36	6	CI
56	6	CS
46	6	316 SS

TABLE II - (CD) TUBE BANK AND SHELL

OPTION #	TUBE BANK MATERIAL	SHELL MATERIAL
11	ALUMINUM	ALUMINUM
66	304 SS	CS STEEL
22	316 SS	316 SS

Table III - (E) SEAL TYPE

OPTION #	SEAL
1	Viton / N8090
2	FEP Teflon / N 8090
3	Buna / N8090

Table IV - (F) PRESSURE RANGE

OPTION #	SETTINGS
1	0.5
2	1
3	1.5
4	2
5	2.5
6	2.75

Table V - (GH) FLANGE TYPE

OPTION #	FLANGE TYPE
01	RF (ANSI)*
02	FF (ANSI)
03	NPT

*RAISED FACE FLANGES NOT AVAILABLE WITH ALUMINUM BODIES