



- Available in 4", 6", 8" & 10" sizes
- Inexpensive weights for standard settings
- Lightweight; saves shipping and installation costs
- TEFLON expanding seal provides practically zero leakage up to release pressure
- Magnetic latch assures instantaneous opening at release pressure
- Meets requirements of most small or large tanks
- Settings of 1/2 to 2 3/4 psi available
- Settings 2 psi and above utilize patented magnetic latch and lead weight configuration

The Shand & Jurs Model 94510 Emergency Vent

The Shand & Jurs Model 94510 Magnavent is a pressure operated emergency vent designed specifically to meet the NFPA ruling on venting requirements for small storage tanks. An economically designed and priced unit, the principle of operation is based on a unique magnetic latch.

The pressure setting is accomplished by an Alnico permanent magnet attached to the base acting on a magnetic stainless steel plate on the hinged cover. As the pressure increases, the force required to overcome the magnetic attraction between the base and cover increases until the set pressure is reached. The setting is determined by the size and strength of the magnet. Because the force required to overcome the magnet is much greater than the force (or pressure) required to support the lightweight cover, the vent instantaneously goes to full open at the release pressure - there is no "simmering" or leakage as the tank pressure approaches set pressure.

The time - and service - proved Alnico magnet, which is cadmium plated has been extensively tested with no deterioration in magnetic strength due to shock, time or temperature.

Another innovation incorporated in the Magnavent is the Teflon Expanding Seal. The seal never contacts two hard surfaces at one point. The tank pressure forces the seal away from the cover and at the same time forces it against the seat surface of the base with the result that the higher the tank pressure, the tighter the seal becomes. Tests have shown that there is less than 0.5 cubic foot per hour leakage at high pressure right up to the release pressure. The Teflon Expanding Seal is an added benefit to those users who are concerned about conserving product. The performance of the expanda-seal technology makes the 94510 an economical alternative to expensive pilot operated valves or rupture disks where blowdown is not a major concern.

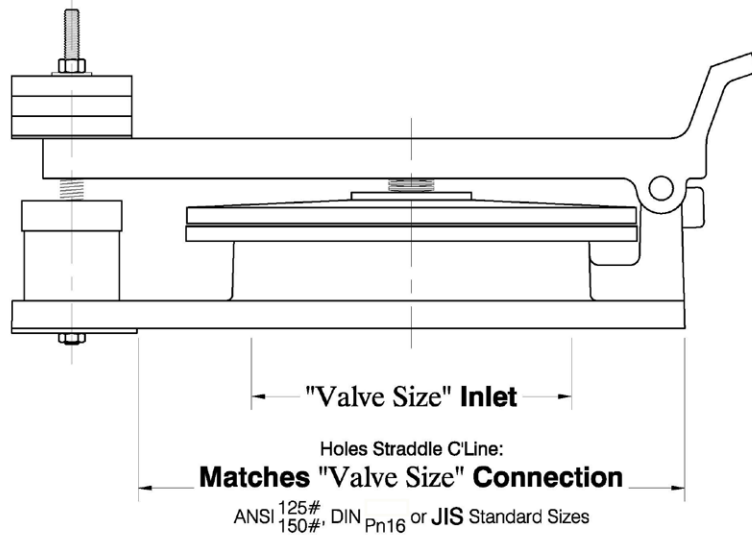
SPECIFICATIONS	
Size	4", 6", 8" & 10" to match ANSI 125
Temperature Range	-40 to +140°F *STD
Standard Settings	1/2 psi thru 2 3/4 psi
Base & Cover	Cast Aluminum, Opt. STL, SS
Cover Seal	FEP Teflon*
Magnet	Alnico
Magnet Plate & Hinge Pin	Stainless Steel
Clamp Ring	Aluminum, Opt. SS
Bearings	Nylon

* Higher Process Temperature Ranges Available using Viton Seal or other Elastomers. Consult Factory

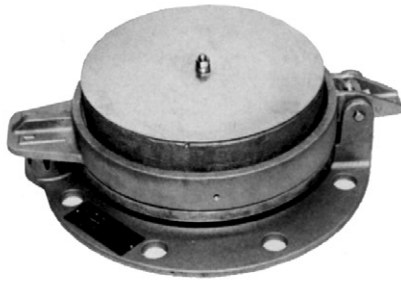
Materials of construction in this equipment have been selected as representing the most suitable commercially available material for use in the service intended. However, they do not constitute a guarantee against corrosion since processes

vary from plant to plant and concentration of harmful fluids, gasses or solids vary from time to time in a given process. Empirical experience by users should be the final guide and alternate materials based on this are generally available.

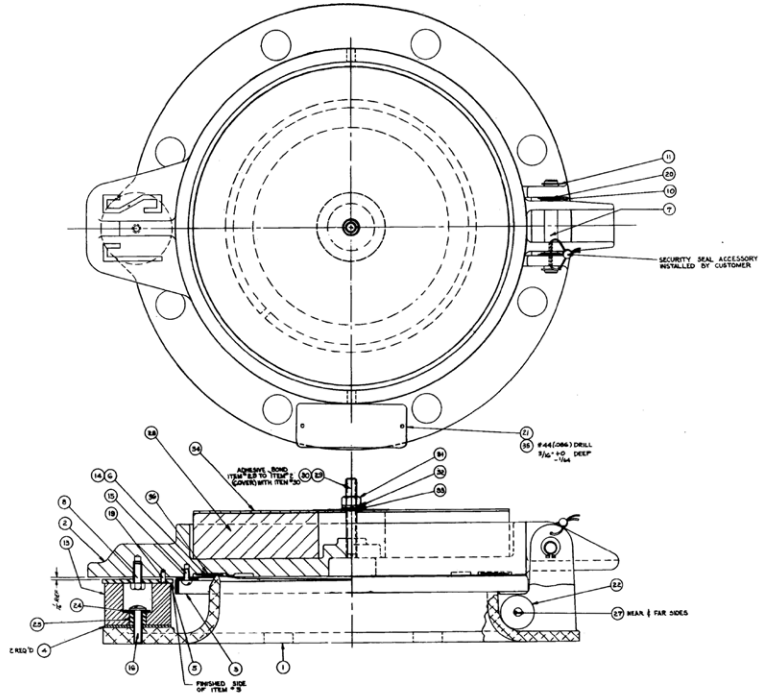
All other sizes and materials



8" AL 94510 for Pressure Setting Below 2 PSI



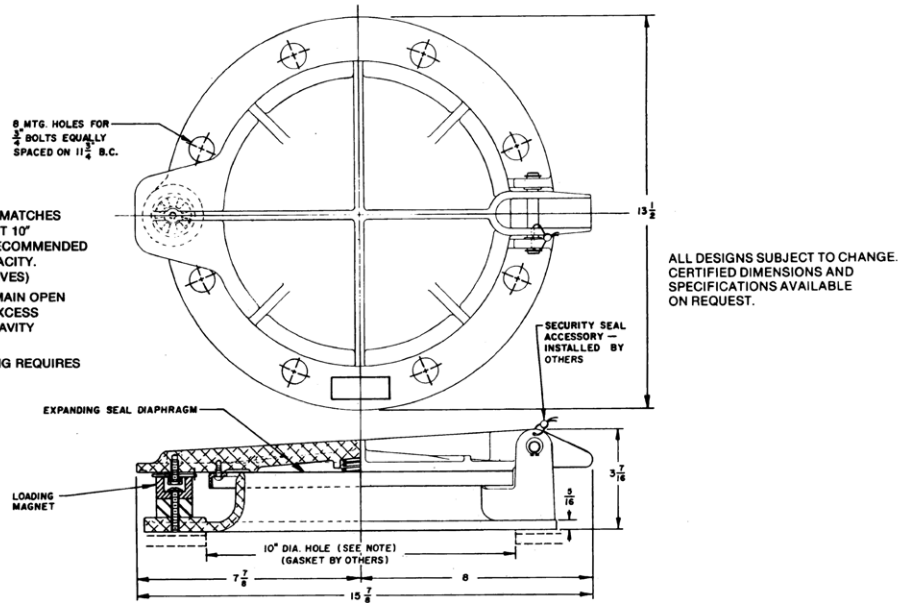
8" Aluminum Size



94510 FOR PRESSURE SETTING 2 PSI AND ABOVE

NOTES:

1. FLAT FACE FLANGE MATCHES ANSI CLASS 125. BUT 10" MOUNTING HOLE RECOMMENDED FOR MAXIMUM CAPACITY. (PER CAPACITY CURVES)
2. VENT WILL NOT REMAIN OPEN AFTER RELIEVING EXCESS PRESSURE, IT IS GRAVITY CLOSING.
3. ABOVE 2 PSI SETTING REQUIRES LOADING WEIGHT.

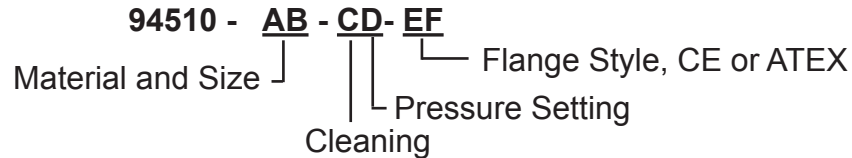


8" AL 94510 for Pressure Setting 2 PSI & Above

All designs subject to change. Certified dimensions and specifications available upon request

MODEL NUMBER SELECTION:

The model number will consist of a base number 94510 followed by three 2 digit numbers which represent the options listed in the following tables.



ORDERING INFORMATION

Specify:

1. Model 94510 Emergency Vent (Pressure Only)
2. Body Material
3. Pressure Setting
4. Cleaning Requirements
5. Flange Style
6. CE for Ordinary EU Locations use Table E1
7. ATEX Certification for Group IIB, IIA EU Locations, use Table E2
8. Accessory Security Seal, If Required

TABLE II - CLEANING

OPTION (C)	CLEANING
0	Normal Clean
1	LOX Clean

TABLE II - SET PRESSURE

OPTION (D)	SETTINGS (PSIG)
1	0.5
2	1
3	1.5
4	2
5	2.5
6	2.75

TABLE I - MATERIAL

OPTION (A)	BODY MATERIAL
1	AL
2	Steel
3	Stainless Steel

TABLE III - FLANGE STYLE

(MATCH HOLE PATTERN ONLY)

and CE or ATEX CERTIFICATION

OPTION (E)	APPLICATION
0	STANDARD
1	CE
2	ATEX

TABLE I - SIZE

OPTION (B)	SIZE
1	4"
2	6"
3	8"
4	10"

OPTION (F)	FLANGE HOLE PATTERN
0	FF ANSI
1	FF DIN PN16
2	FF JIS 10K

ACCESSORIES	
PART #	DESCRIPTION
233-53	Security Seal