



- Protects tank contents from foreign debris
- Quick and easy maintenance
- Available in sizes 2" through 24" (other sizes available upon request)

The Shand & Jurs Model 94241 Free Vent (Hooded)

The Shand & Jurs Model 94241 Free Vents are designed for use on bulk liquid storage tanks containing non-volatile liquids. The free vent is also used on vent riser pipes.

The Model 94241 Free Vent provides protection against rain, dirt, birds, insects and other foreign matter from entering storage tanks, while allowing

atmosphere and vapors to flow freely. Installation is quick and easy.

This free vent is available in 2", 3", 4", 6", 8", 10", 12", 16", 18", 20" and 24" sizes. The base fits 150 lb. ANSI flat face flange. Materials of construction available in steel, aluminum and stainless steel.

SPECIFICATIONS

Sizes:..... 2", 3", 4", 6", 8", 10", 12"
16", 18", 20" & 24"

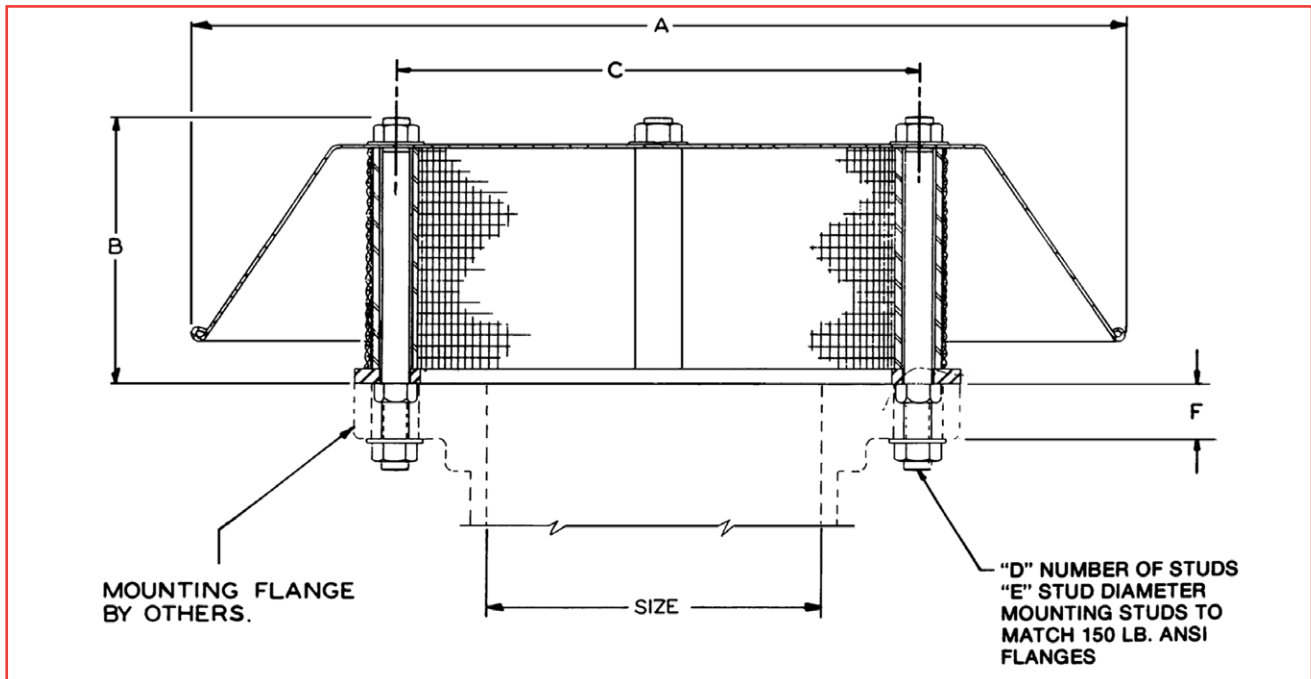
Flange Rating: To match drilling of
ANSI 150 lb. flat face.
DIN and JIS 10K Flange
Available

MATERIALS OF CONSTRUCTION*

Base:AL, Steel, 316SS
Spacer:Steel
Stud:Steel
Screen:Galvanized Steel
Hood:Aluminum or 316SS

*Hardware and screen is SS with 316SS base
and hood option.

DIMENSIONS (2"-12" Sizes)						
SIZE	A	B	C	D	E	F
2"	13 9/16	4 7/8	4 3/4	2	3/8	3/4
3"	13 1/2	3 1/2	6	2	3/8	15/16
4"	14 9/16	4 3/8	7 1/2	4	3/8	15/16
6"	16 9/16	4 7/8	9 1/2	4	1/2	1
8"	20 1/2	6 3/8	11 3/4	4	1/2	1 1/8
10"	27 3/4	7 3/8	14 1/4	6	1/2	1 3/16
12"	29 1/4	9 5/8	17	6	1/2	1 1/4



All designs subject to change. Certified dimensions and specifications available upon request

