



- Protects tank contents from foreign debris
- Quick and easy maintenance
- Available in sizes 2" through 10"
- Available with optional flame snuffer

## The Shand & Jurs Model 94240 Free Vent

The Shand & Jurs Model 94240 Free Vents are designed for use on bulk liquid storage tanks containing non-volatile liquids.

The Model 94240 Free Vent allows atmosphere and vapors to flow freely in and out of storage tanks, while the return bend design with screen

protects against rain, dirt or other foreign matter. Vents are available in either cast aluminum or cast iron bodies. Installation is quick and easy. Optional threaded connections available.

This free vent is available in 2", 3", 4", 6", 8" and 10" sizes (inside diameter).

### SPECIFICATIONS

Sizes ..... 2", 3", 4", 6", 8" & 10"

Flange Rating: ..... Flat face flange fits ANSI 150lb. flange connection

### MATERIALS OF CONSTRUCTION

Body: ..... Cast Aluminum, Cast Iron

Screen: ..... Galvanized Steel (Stainless Steel Available)

Lever: ..... Malleable Iron (Cast Aluminum Available)

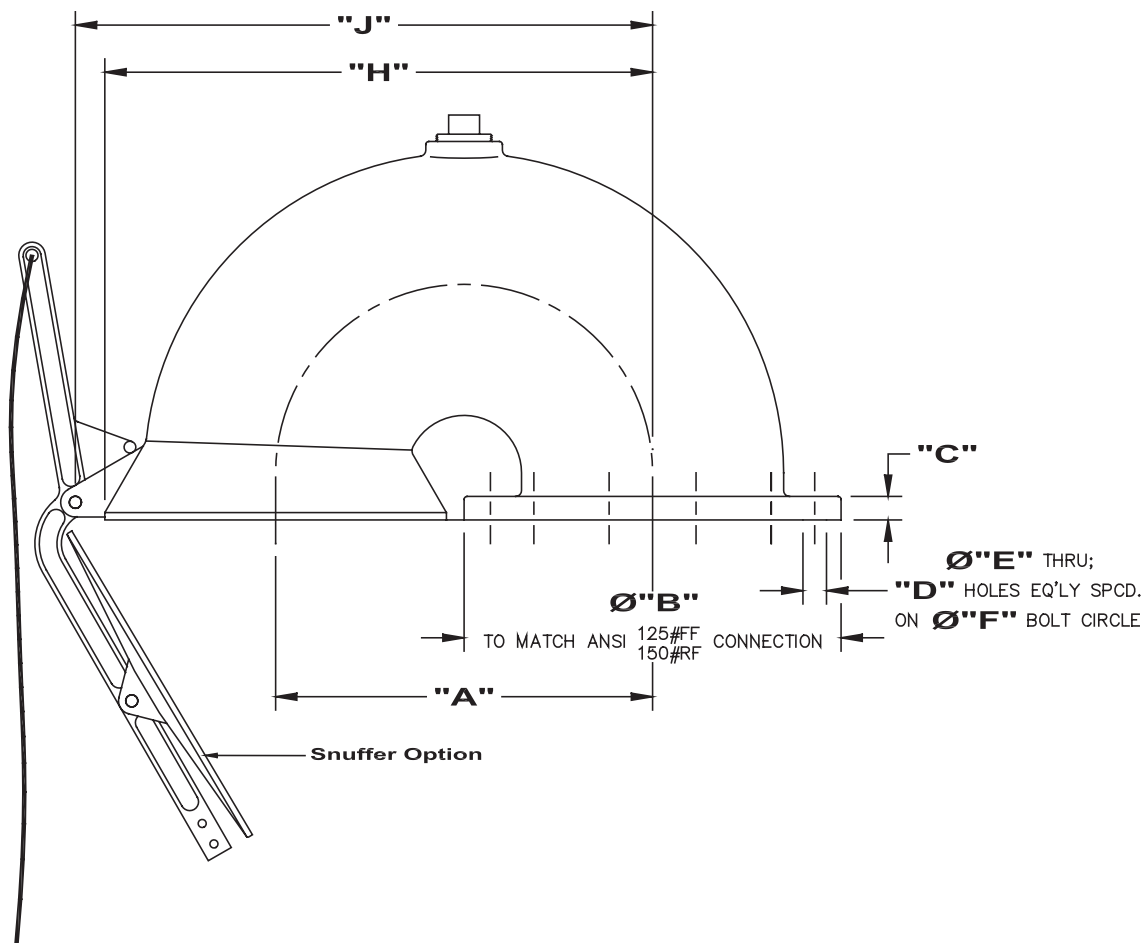
Disc: ..... Cast Aluminum (Cast Iron or Cast Brass Available)

Snuffer Cable: ..... Stainless Steel\*

\* When ordering snuffer cable, specify tank height.

## OUTLINE DIMENSIONS

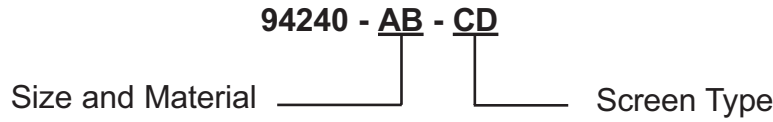
| TABLE OF DIMENSIONS |                      |        |     |    |     |        |         |        |             |       |
|---------------------|----------------------|--------|-----|----|-----|--------|---------|--------|-------------|-------|
| SIZE                | DIMENSIONS IN INCHES |        |     |    |     |        |         |        | Weight/lbs. |       |
|                     | A                    | B      | C   | D  | E   | F      | H       | J      | Iron        | Alum. |
| 2"                  | 5 1/2                | 6      | 1/2 | 4  | 3/4 | 4 3/4  | 7 1/2   | 8 1/8  | 15          | 8     |
| 3"                  | 7 1/2                | 7 1/2  | 5/8 | 4  | 3/4 | 6      | 9 15/16 | 10 3/4 | 19          | 10    |
| 4"                  | 9                    | 9      | 5/8 | 8  | 3/4 | 7 1/2  | 12 1/8  | 13     | 25          | 12    |
| 6"                  | 11                   | 11     | 3/4 | 8  | 7/8 | 9 1/2  | 15 9/16 | 16 5/8 | 55          | 21    |
| 8"                  | 13 5/8               | 13 1/2 | 3/4 | 8  | 7/8 | 11 3/4 | 19 3/4  | 20 5/8 | 75          | 28    |
| 10"                 | 16                   | 16     | 1   | 12 | 1   | 14 1/4 | 23 1/4  | 24 1/2 | 96          | 37    |



All designs subject to change. Certified dimensions and specifications available upon request

**MODEL NUMBER SELECTION:**

The model number will consist of a base number 94240 followed by two 2 digit numbers which represent the options listed in the following tables.



**ORDERING INFORMATION**

Specify:

1. Model 94240 Free Vent
2. Size Vent Required
3. Body Material
4. Screen Type



**TABLE I - (AB) SIZE AND MATERIAL**  
125# FLAT FACE FLANGE

| WITHOUT SNUFFER |          |            | WITH SNUFFER |           |
|-----------------|----------|------------|--------------|-----------|
| SIZE            | OPTION # | WT* (LBS.) | OPTION #     | MATERIAL  |
| 2"              | 01       | 8          | 21           | Aluminum  |
| 3"              | 02       | 10         | 22           | Aluminum  |
| 4"              | 03       | 12         | 23           | Aluminum  |
| 6"              | 04       | 21         | 24           | Aluminum  |
| 8"              | 05       | 28         | 25           | Aluminum  |
| 10"             | 06       | 37         | 26           | Aluminum  |
| 2"              | 07       | 15         | 37           | Cast Iron |
| 3"              | 08       | 19         | 38           | Cast Iron |
| 4"              | 09       | 25         | 39           | Cast Iron |
| 6"              | 10       | 55         | 30           | Cast Iron |
| 8"              | 11       | 75         | 31           | Cast Iron |
| 10"             | 12       | 96         | 32           | Cast Iron |

\* SHIPPING WEIGHT (WITHOUT FLAME SNUFFER).

\*\*SPECIFY CABLE LENGTH (IF SNUFFER ORDERED).

**TABLE II - (CD) SCREEN TYPE**

| OPTION | TYPE             |
|--------|------------------|
| 00     | GALVANIZED STEEL |
| 01     | S.S.             |