



- Easy installation and handling for inspection
- Tank examination requires no gasket replacement or unbolting
- 10," 16", 20", 24", 30" and 36" base designed to fit 150 lb. ANSI flange
- 20" & 24" sizes designed to fit API 650 or 150# ANSI
- DIN sizes available
- Materials of construction include Aluminum, Steel, & 316SS

The Shand & Jurs Model 94210 Emergency Vent & Manhole Cover (Hinged)

The Shand & Jurs Model 94210 Emergency Vent and Manhole Cover is an economical solution to emergency venting requirements where intermediate pressure settings are required.

The design of Model 94210 employs a flexible diaphragm affording a tight seal between the pallet and the corrosion resistant seat below set pressure. This also assures low leakage. The diaphragm is intended for normal ambient temperature storage. Special diaphragms for tanks storing products other than oils and gasoline are available.

Standard design is available in 10", 16", 20", 24", 30" and 36" sizes. The 10", 16", 20", 24", 30" and 36" vents have a flat face flange which matches a 150 lb. ANSI flange. The 20" and 24" vents have a flat face flange to fit API Roof Manholes. Special construction types are also available.

When set pressure is achieved, the pallet starts to lift. Flow efficiency rises rapidly to approximately 60% of a perfect orifice at 40% excess of the set pressure. At higher overpressure the flow efficiency approximates 75%.

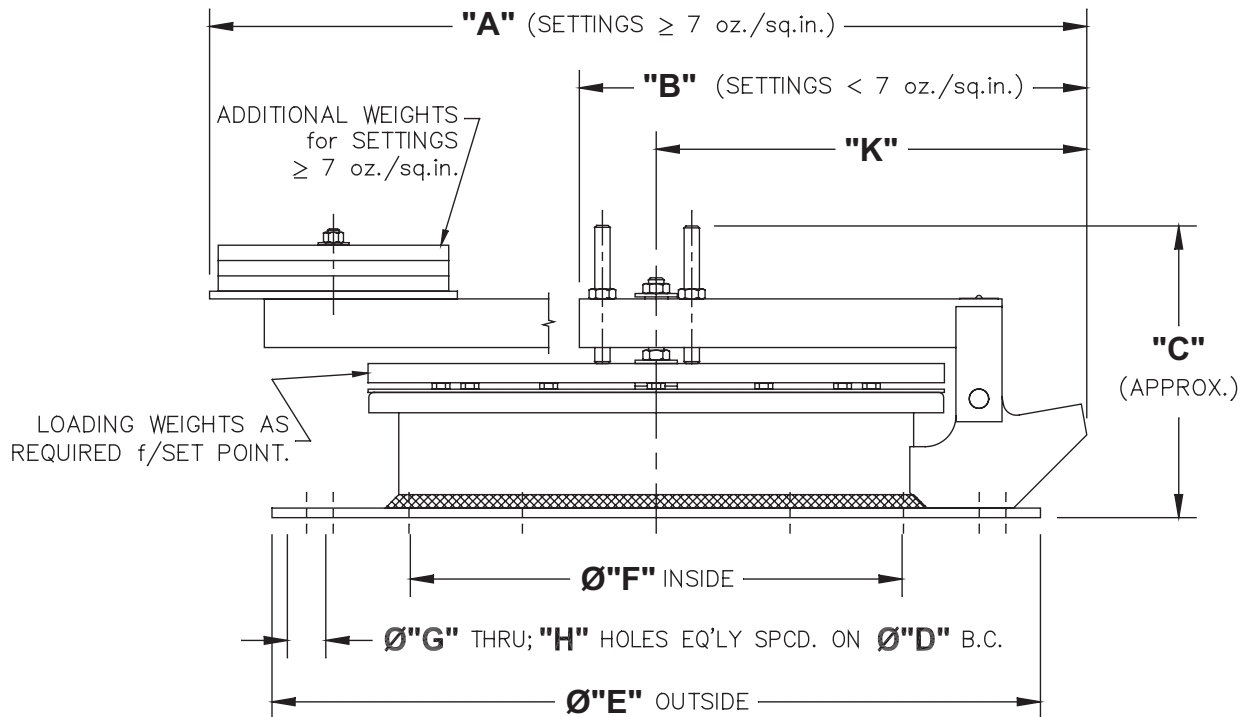
For tank venting or examination, the entire hinged cover may be lifted open in a matter of seconds, offering clear passage through the unobstructed opening. Since no gasket replacement or unbolting is necessary, this vent eliminates the expensive manpower needed to put conventional emergency vents back in operation .

Pallet construction permits a wide variety of pressure settings. See specifications for various pressure settings of all vent sizes.

Specifications								
Size	10"	16"	20"	24"	10"	16"	20"	24"
Type	Low Setting				High Settings			
Pressure Settings	Standard	1.1 oz	1.3 oz	1.3 oz	1.5 oz	> 4.0 oz/sq.in.		
	Minimum	1.1 oz	1.3 oz	1.3 oz	1.0 oz	> 4.0 oz/sq.in.		
	Maximum	4.0 oz/sq. in.				20 oz/sq. in.	12 oz/sq. in.	
Diaphragm	Teflon							
Pallet	Aluminum							
Support Plate	Aluminum	Steel						
Seat, Hinge Pin, Pallet Guide Stem	Stainless Steel							
Base, Hing Arm	Steel							
Diaphragm Clamp Ring	Aluminum		Steel	Aluminum		Steel	Aluminum	
Back-up Disc	N8090							

Vent Size	Connection Matching size	"A"	"B"	"C"	Diameter "D"	Diameter "E"	Diameter "F"	Diameter "G"	"H" Holes	"K"
10"	10" ANSI Class 150	20 13/16	11 13/16	10	14 1/2	16	10	1	12	10 1/16
16"	16" ANSI Class 150	28 9/16	16 1/2	10	21 1/4	23 1/2	16	1 1/8	16	14
20"	20" API Roof Manhole	36 13/16	20 13/16	12 1/8	23 1/2	26	20	3/4	16	17 15/16
20"	20" ANSI Class 150	36 13/16	20 13/16	12 1/8	25	27 1/2	20	1 1/4	20	17 15/16
24"	24" API Roof Manhole	41 5/16	22 13/16	12 1/4	27 1/2	30	24	3/4	20	20 1/16
24"	24" ANSI Class 150	41 5/16	22 13/16	12 1/4	29 1/2	32	24	1 3/8	20	20 1/16

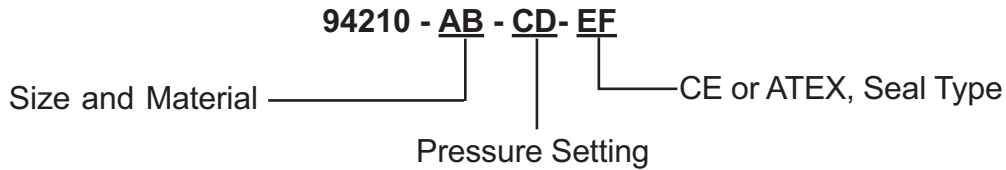
Consult Factory for 30" and 36" dimensions



All designs subject to change. Certified dimensions and specifications available upon request

MODEL NUMBER SELECTION:

The model number will consist of a base number 94210 followed by three 3 digit numbers which represent the options listed in the following tables.



ORDERING INFORMATION

Specify:

1. Model 94210 Emergency Vent / Manhole Cover
2. Size Required
3. Base and Cover Material
4. Pressure Setting
5. ANSI or API Base
6. Seal Type Standard or Expando-Seal
7. CE for Ordinary EU Locations specify Table E1
8. ATEX Certification for Group IIB, IIA EU Locations, specify Table E2



TABLE I - (AB) SIZE & MATERIAL

SIZE (INCHES)	BASE	FLANGE	
		ANSI *	API 650
10	STEEL	11	N/A
10	316 SS	15	N/A
10	AL	21	N/A
16	STEEL	12	N/A
16	316 SS	16	N/A
16	AL	22	N/A
20	STEEL	33	13
20	316 SS	37	17
20	AL	43	23
24	STEEL	34	14
24	316 SS	38	18
24	AL	44	24
30	STEEL	35	N/A
30	316 SS	39	N/A
30	AL	45	N/A
36	STEEL	36	N/A
36	316 SS	40	N/A
36	AL	46	N/A

* FLAT FACE ANSI HOLE PATTERN ONLY.

FOR RAISED FACE ANSI CONSULT FACTORY

TABLE II - (CD) PRESSURE SETTING

VALVE SIZE (TABLE I)	OPTION #	SETTINGS (OZ./SQ. INCH)	
		STANDARD	MAXIMUM*
10"	01	1.1	1.1
16"		1.3	1.3
20"		1.3	1.3
24"		1.5	1.5
30"		1.7	1.7
36"		1.9	1.9
10"	02	ABOVE STANDARD SETTING TO 4 OZ./SQ. INCH	
16"			
20"			
24"			
30"			
36"			
10"	11	> 4 OZ.	8 OZ.
16"			
20"			
24"			
30"			
36"			
10"	12	> 8 OZ.	20 OZ.
16"		> 8 OZ.	12 OZ.
20"			
24"			
30"			
36"			

* Consult Factory For Settings Greater Than Shown

TABLE III (E) CE OR ATEX

OPTION #	DESCRIPTION
0	STANDARD
1	CE
2	ATEX CERTIFICATION

TABLE III (F) SEAL TYPE

EXPANDA SEAL OPTION #	STANDARD OPTION #
1	0