



- Easy installation and convenient handling
- “Expanda-Seal” design for applications where low leakage rates are a requirement
- 20” and 24” opening - 20” and 24” flanges.
- API 650 or 150 lb ANSI compatibility
- DIN sizes available
- Materials include Aluminum, Steel & 316SS

The Shand & Jurs Model 94201 Emergency Vent and Manhole Cover (with Expanda-Seal)

The Shand & Jurs Model 94201 Emergency Vent and Manhole Cover with “Expanda-Seal” is an economical solution to present day emergency venting requirements. It is designed to relieve excessive internal pressure in liquid storage tanks while providing excellent protection against costly tank roof rupture repair. The “Expanda-Seal design also decreases product leakage below actual set point. The standard design is available in 20” & 24” flange.

The Model 94201 is available with low base for liquid overflow. When specified, elongated guides and special stops can be provided to limit pallet lift. The pallet guide is deep enough to assure proper reseating of pallet after pressure relief at lower overpressures. Pallet will reseat when tank pressure drops below set pressure.

For tank venting or examination, the pallet may be removed from its base offering a clear unobstructed passage. A retaining cable is provided to attach the pallet to the base.

SPECIFICATIONS:

Pressure Setting: Ranges from 1.0 oz. to 5.78 oz./sq.in.

MATERIALS OF CONSTRUCTION:

Base: Steel, Aluminum or 316SS

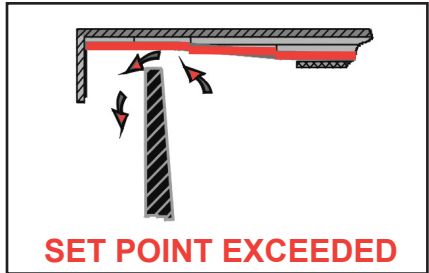
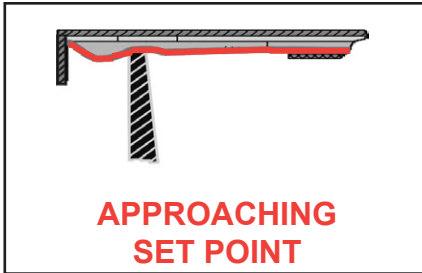
Diaphragm Seat: Inlaid Stainless Steel on Steel Base.
Aluminum on Aluminum Base.
316SS on 316SS Base

Diaphragm: FEP Teflon

Back-Up Disc: Reinforced fiber composition

Pallet, Clamp Ring, Guide: Aluminum, Steel or 316SS

Alternate materials of construction available on request.



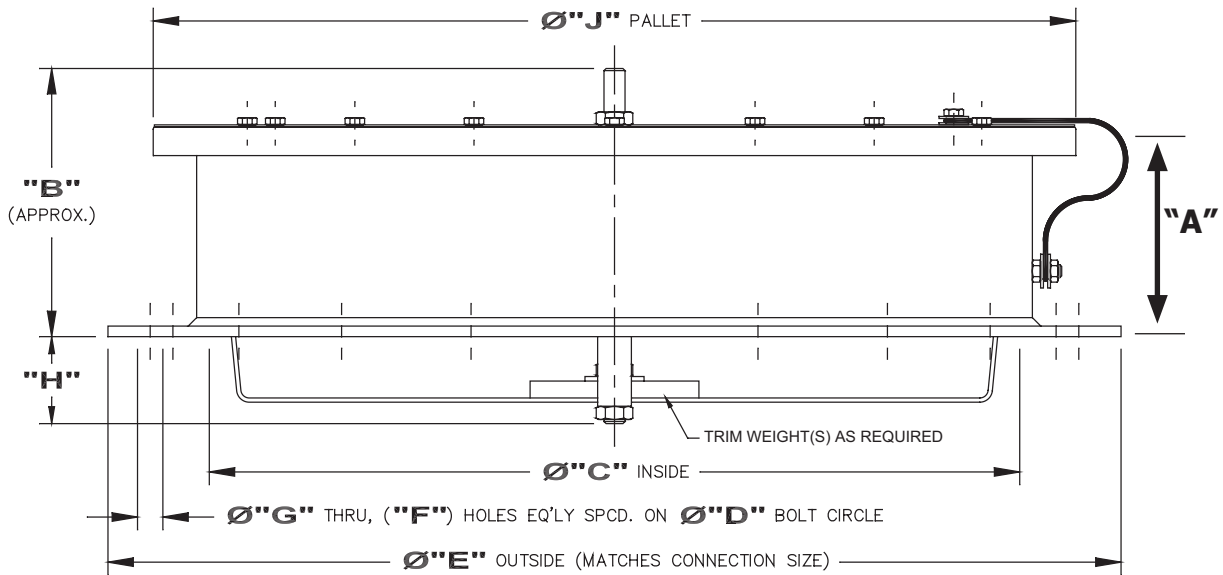
Shand & Jurs "Expanda-Seal" option is available on all pressure pallet assemblies. This feature, shown in red, significantly reduces leakage. The ballooning effect of the teflon diaphragm effectively seals the valve. The "Expanda-Seal" feature ensures less than .5 SCFH of leakage at 95% of the set point.

Vent Size	Connection Matching Size	"B"	Ø"C"	Ø"D" Bolt Circle	Ø"E"	"F" Holes	Ø"G"	"H"	Ø"J" Pallet
16"	16" 125#/150# ANSI	9 1/4	Ø16	Ø21 1/4	Ø23 1/2	16	Ø1 1/8	1 1/4	Ø18 3/4
20"	20" 125#/150# ANSI	9 1/4	Ø20	Ø25	Ø27 1/2	20	Ø1 1/4	1 1/4	Ø23 5/16
20"	24" 125#/150# ANSI	9 1/4	Ø20	Ø29 1/2	Ø32	20	Ø1 3/8	1 1/4	Ø23 5/16
24"	24" 125#/150# ANSI	9 1/4	Ø24	Ø29 1/2	Ø32	20	Ø1 3/8	1 1/4	Ø27 5/16
20"	20" API Roof Manhole	9 1/4	Ø20	Ø23 1/2	Ø26	16	Ø3/4	1 1/4	Ø23 5/16
20"	24" API Roof Manhole	9 1/4	Ø20	Ø27 1/2	Ø30	20	Ø3/4	1 1/4	Ø23 5/16
24"	24" API Roof Manhole	9 1/4	Ø24	Ø27 1/2	Ø30	20	Ø3/4	1 1/4	Ø27 5/16

"A" = 6 1/4" for High and Limited Lift Base

"A" = 2 1/8" for Low Base

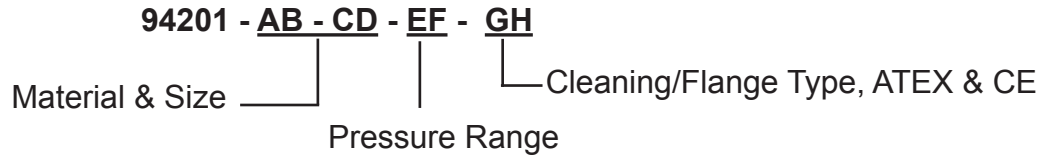
"H" = 3 1/2" for Low Base



All designs subject to change. Certified dimensions and specifications available upon request

MODEL NUMBER SELECTION:

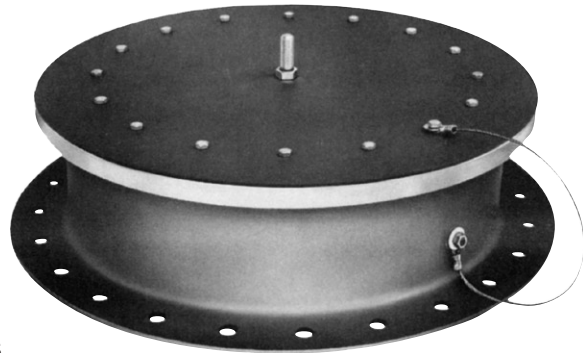
The model number will consist of a base number 94201 followed by four - 2 digit numbers which represent the options listed in the following tables.



ORDERING INFORMATION

Specify:

1. Model 94201 Emergency Vent & Manhole Cover
2. Size and Body Material
3. Pressure Set Point
4. Pallet Material
5. Flange Type
6. Cleaning
7. To specify CE for Ordinary EU Locations, specify Table G3, G4, or G5
8. ATEX Certification for Group IIB, IIA EU Locations, use Tables G6, G7, or G8



TABLES I & II - (AB- CD)
BASE SELECTION - MATERIAL & SIZE

OPTION #	SIZE	MATERIAL & STYLE	PALLET MATERIAL
01-01	20"	STD. BASE STEEL	STEEL NO ALUM WETTED PARTS
01-02	20"	STD. BASE STEEL	ALUM STD
01-03	20"	STD. BASE STEEL	SS 316 WETTED PARTS
02-02	20"	BASE ALUM	ALUM STD
03-03	20"	BASE 316 SS	SS 316 WETTED PARTS
04-01	20"	LIMITED LIFT STEEL	STEEL NO ALUM WETTED PARTS
04-02	20"	LIMITED LIFT STEEL	ALUM STD
04-03	20"	LIMITED LIFT STEEL	SS 316 WETTED PARTS
05-01	20"	LOW BASE STEEL	STEEL NO ALUM WETTED PARTS
05-02	20"	LOW BASE STEEL	ALUM STD
05-03	20"	LOW BASE STEEL	SS 316 WETTED PARTS
06-01	20"x24"	STD. BASE STEEL	STEEL NO ALUM WETTED PARTS
06-02	20"x24"	STD. BASE STEEL	ALUM STD
06-03	20"x24"	STD. BASE STEEL	SS 316 WETTED PARTS
07-02	20"x24"	BASE ALUM	ALUM STD
08-03	20"x24"	BASE 316 SS	SS 316 WETTED PARTS
09-01	20"x24"	LIMITED LIFT STEEL	STEEL NO ALUM WETTED PARTS
09-02	20"x24"	LIMITED LIFT STEEL	ALUM STD
09-03	20"x24"	LIMITED LIFT STEEL	SS 316 WETTED PARTS
10-01	20"x24"	LOW BASE STEEL	STEEL NO ALUM WETTED PARTS
10-02	20"x24"	LOW BASE STEEL	ALUM STD
10-03	20"x24"	LOW BASE STEEL	SS 316 WETTED PARTS
18-03	20"x24"	LOW BASE 316SS	SS 316 WETTED PARTS
21-01	24"	STD. BASE STEEL	STEEL NO ALUM WETTED PARTS
21-02	24"	STD. BASE STEEL	ALUM STD
21-03	24"	STD. BASE STEEL	SS 316 WETTED PARTS
22-02	24"	BASE ALUM	ALUM STD
23-03	24"	BASE 316 SS	SS 316 WETTED PARTS
24-01	24"	LIMITED LIFT STEEL	STEEL NO ALUM WETTED PARTS
24-02	24"	LIMITED LIFT STEEL	ALUM STD
24-03	24"	LIMITED LIFT STEEL	SS 316 WETTED PARTS
25-01	24"	LOW BASE STEEL	STEEL NO ALUM WETTED PARTS
25-02	24"	LOW BASE STEEL	ALUM STD
25-03	24"	LOW BASE STEEL	SS 316 WETTED PARTS
26-03	24"	LOW BASE 316SS	SS 316 WETTED PARTS

Option C

0 = Std. Softgoods: FEP Teflon diaphragm with N8090 back-up

1 = FEP Teflon diaphragm and back-up

TABLE III - (EF)
PRESSURE RANGE - WEIGHT MATERIAL

RANGE	OPTION # STEEL	OPTION # SS	OPTION # LEAD
1.0-1.61	01	11	21
1.62-2.23	02	12	22
2.24-2.85	03	13	23
2.86-3.35	04	14	24
3.36-3.97	05	15	25
3.98-4.59	06	16	26
4.60-5.21	07	17	27
5.22-5.78	08	18	28

TABLE IV - (G) ATEX/CE & CLEANING

OPTION #	CLEANING
0	STD. CLEANING
1	LOX
2	LIN
3	CE / STD. CLEANING
4	CE / LOX
5	CE / LIN
6	ATEX / STD. CLEANING
7	ATEX / LOX
8	ATEX / LIN

TABLE IV - (H) FLANGE TYPE (MATCHING)

OPTION #	FLANGE
0	API 650 FF
1	ANSI 125/150 lb FF

FF= FLAT FACE