



- Easy installation, convenient handling
- Tank examination requires no gasket replacement or unbolting
- Manhole opening available in 16", 20", 24", 30", & 36"
- Materials include Aluminum, Steel, & 316SS

The Shand & Jurs Model 94200 Emergency Vent and Manhole Cover

The Shand & Jurs Model 94200 Emergency Vent and Manhole Cover is an economical solution to present day emergency venting requirements. It is designed to relieve excessive internal pressure in liquid storage tanks. Its economical price provides excellent protection against costly tank roof rupture repair. The sizes are 16", 20", 24", 30", and 36" ANSI connections and 20" and 24" API roof manhole connections.

The Model 94200 is available with low base for liquid overflow. When specified, elongated

guides and special stops can be provided to limit pallet lift. The pallet guide is deep enough to assure proper reseating of pallet after pressure relieving at lower overpressures. Pallet will reseat when tank pressure drops below set pressure.

For tank venting or examination, the pallet may be removed off its base offering a clear unobstructed passage. A retaining cable is provided to fasten the pallet to the base.

Pressure Setting:

- Standard for Alum. Pallet -0.865 oz./sq. in. 16" & 20", & 24"
- Standard for SS & CS Pallet -16"-1.6 oz./sq. in.
- 20" & 24" - 1.5 oz./sq.in.
- 6.0 oz./sq. in for 24" size
- 8.0 oz./sq. in. for 16" & 20" sizes

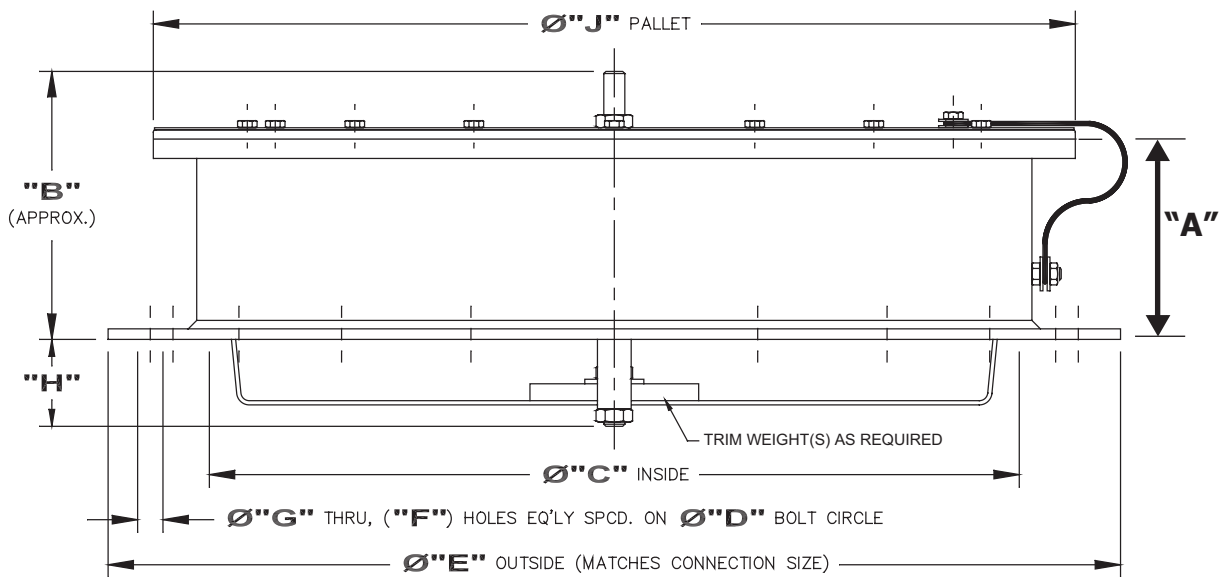
MATERIALS OF CONSTRUCTION:

- Base: Steel, Aluminum and 316SS available
- Diaphragm Seat: Inlaid Stainless Steel
(Steel & Aluminum Available)
- Diaphragm: Teflon
- Back-Up Disc: Reinforced fiber composition
(non-asbestos)
- Pallet: Aluminum
(Steel & 316SS available)
- Clamp Ring: Aluminum w/Aluminum base
Steel w/ Steel base available

Type	"A"	"B"
High Lift	6 1/4	8 3/4
Limited Lift	6 3/16	8 3/4
Low Base	2 1/8	3 3/4

OUTLINE DIMENSIONS

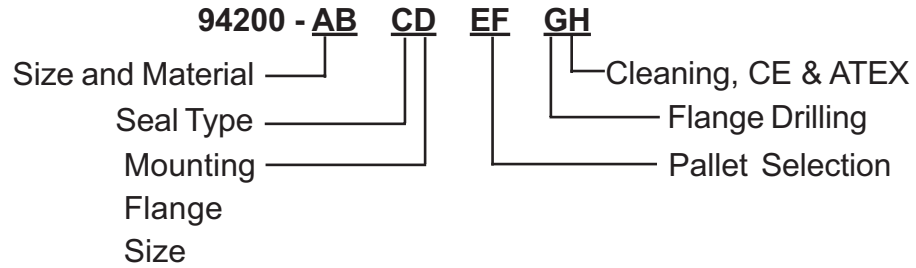
Flange Mtg.	"D"	"E"	"F"	"G"	"C"	
16 X 16	21 1/4	23 1/2	16	1 1/8	16	ANSI
20 X 20	23 1/2	26	16	3/4	20	API 650 Roof Manhole
20 X 24	27 1/2	30	20		24	
24 X 24	27 1/2	30	20	1 1/4	20	ANSI
20 X 20	25	27 1/2	20	1 3/8	24	



All designs subject to change. Certified dimensions and specifications available upon request

MODEL NUMBER SELECTION:

The model number will consist of a base number 94200 followed by 8 digits numbers which represent the options listed in the following tables.



ORDERING INFORMATION

Specify:

1. Model 94200 Emergency Vent & Manhole Cover
2. Size and Body and Pallet Material
3. Pressure Set Point
4. Type of Flange
5. Cleaning
6. To specify CE for Ordinary EU Locations use Table H2 or H3
7. ATEX Certification for Group IIB, IIA EU Locations, use Table H4 or H5



TABLE Ia- (A) BASE MATERIAL

OPTION #	MATERIAL
1	STEEL
3	ALUMINUM
5	316 SS

TABLE Ib- (B) BASE TYPE

OPTION #	BASE TYPE
2	STD. BASE
3	LIMITED LIFT
4	LOW BASE

TABLE IIb (C) - SEAL MATERIAL

OPTION #	DIAPHRAGM
0	TEFLON
1	PTFE
2	VITON
3	BUNA

TABLE IIa - (D) MOUNTING FLANGE SIZE

OPTION #	SIZE	DESCRIPTION
1	16"	16" OPENING 16" FLANGE
2	20"	20" OPENING 20" FLANGE
3	20"X24"	20" OPENING 24" FLANGE
4	24"X24"	24" OPENING 24" FLANGE
5	30"	30" OPENING 30" FLANGE
6	36"	36" OPENING 36" FLANGE

**TABLE III- (EF)
PALLET SELECTION**

OPTION #	SELECTION
01	STEEL
02	ALUM
03	SS 316

TABLE IVa - (G) DRILLING

OPTIONS	BASE DRILLING
0	API
1	UL142
2	ANSI

TABLE IVb - (H) CLEANING

OPTION #	CLEANING
0	STD. CLEANING
1	LOX
2	CE / STD. CLEANING
3	CE / LOX CLEANING
4	ATEX / STD. CLEANING
5	ATEX / LOX CLEANING