



- Economical
- Ideally Suited for Rim Vent
- Easy Installation
- Available in 6" Size

The Shand & Jurs Model 94126 Pressure Vent

The Shand & Jurs Model 94126 Pressure Vent is designed to relieve pressure on low pressure storage tanks, and is ideally suited as a low cost rim vent on floating roof tanks. Also, it is suitable

as an auxiliary pressure or emergency vent on small low pressure tanks. The Model 94126 is available in a 6-inch size only, with screwed connection.

SPECIFICATIONS:

Standard Setting: 1/2 oz./sq. in.

Connection: 6" NPT

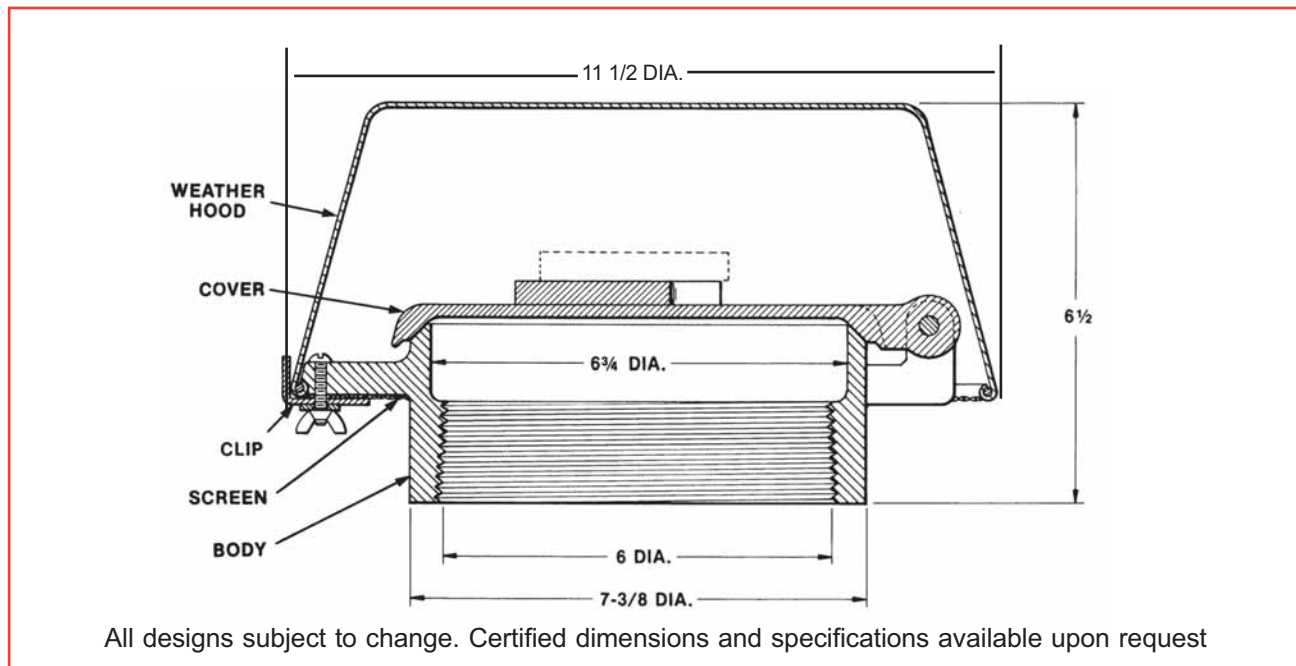
MATERIAL OF CONSTRUCTION:

Body: Cast Aluminum

Cover: Cast Aluminum

Weather Hood: Aluminum

Screen: Galvanized Steel,
316 SS



ORDERING INFORMATION

Specify:

1. Model 94126 Pressure Vent
2. Size
3. Setting, if other than standard
4. To Specify CE for Ordinary Locations use Table B3
5. ATEX Certification for Group IIB, IIA EU Locations use Table B2

94126 - **AB**

Settings

TABLE I - (AB) SIZE AND SETTING

| OPTION # | DESCRIPTION |
|----------|------------------------------|
| 01 | Standard Settings |
| 11 | Non-Standard Settings |
| 02 | ATEX - Standard Settings |
| 12 | ATEX - Non-Standard Settings |
| 03 | CE - Standard Settings |
| 13 | CE - Non-Standard Settings |

MATERIALS OF CONSTRUCTION

| | |
|--------------|----------------------------|
| Body | Cast Aluminum |
| Weather Hood | Aluminum |
| Cover | Cast Aluminum |
| Screen | Galvanized Steel Table B=1 |
| Screen | 316 SS Table B=2 |

Pressure Settings

| | |
|-------------------------------|------------------|
| 1/2 oz. / Sq. In. (0.865" WC) | Standard Setting |
| 5.7 oz. / Sq. In. (10" WC) | Maximum Setting |