

- Acids & Caustic Services
- Corrosion Resistant Fiberglass Construction
- “Air-cushion” Teflon Seal
- Automatic or Manual Closing Designs
- 470 Derakane Std., 411 Derakane and Furan Available

The Shand & Jurs 94069 Fiberglass Reinforced Plastic (FRP) Gauge Hatches

The Shand & Jurs 94069 Series Gauge Hatches are designed to provide ready access to storage tanks for level gauging or obtaining samples. Carefully chosen resins allow application to a wide range of products that previously required exotic metal construction.

The Shand and Jurs 94069 Series Gauge Hatches provide an effective vapor tight seal to minimize costly product evaporation loss, until level gauging or sampling of the tank is required. A secondary feature of the Standard Design 94069 Series Gauge Hatch is to provide pressure relief supplemental to the conservation breather vents.

CONSTRUCTION

STANDARD: Flange, Seat, and Handle are made from Derakane 470 Vinyl Ester Resin. Stainless Steel Hardware and Teflon diaphragm is standard. Special air cushion seal design ensures long lasting vapor tight service. All units are flanged and drilled to match ANSI or DIN flat face flange.

CUSTOM: Other resins (e.g. Furan) and stud materials are available to meet exact corrosion requirements including 411 Derakane, Furan, and Hastelloy.

FAST INSPECTION, EASY MAINTENANCE

Unit's rugged and lightweight design provides for easy, convenient handling for installation, inspection, and maintenance. FRP Vents should be mounted on a flat face flange, using a full-face gasket.

FEATURES

The S&J FRP 94069 Series Gauge Hatch has a lockdown cover option for applications where additional venting is not required. Both types have a foot pedal allowing the cover to open while a self-closing feature prevents personnel from accidentally leaving the cover open, once their foot is removed.

Optional: Specify 'manual closing' when it is more desirable to leave the cover open during inspection or maintenance procedures.

MODEL NUMBER SELECTION:

The model number will consist of a base number 94069 followed by three 2 digit numbers which represent the options listed in the following tables.



ORDERING INFORMATION

Specify:

1. Model 94069 Fiberglass Reinforced Plastic Gauge Hatch
2. Size
3. Material
4. Flange Type
5. Gauge Type
6. Pressure Setting for standard design
7. Temperature Range

TABLE I SIZE (AB)

OPTION # (AB)	SIZE (inches)
04	4"
06	6"
08	8"

TABLE III FLANGE TYPE (E)

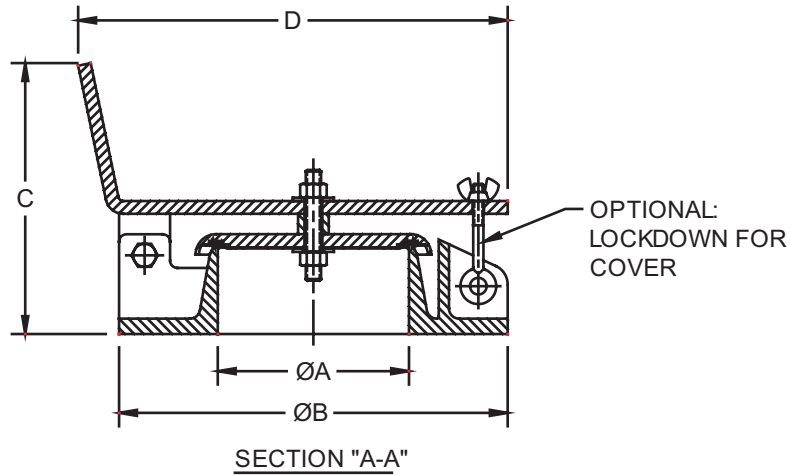
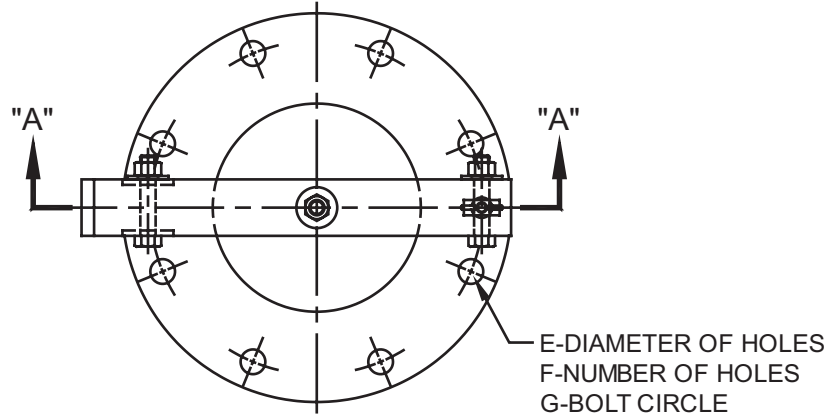
OPTION # (E)	FLANGE TYPE
0	ANSI 150#
1	DIN

TABLE II MATERIAL (CD)

OPTION # (CD)	BODY MATERIAL
01	411 DERAKANE
02	470 DERAKANE
03	FURAN

TABLE III GAUGE TYPE (F)

OPTION # (F)	GAUGE
1	STANDARD-AUTO CLOSING
2	LOCK-DOWN
3	MANUAL CLOSING



SIZE	"ØA"	"ØB"	"C"	"D"	"ØE"	"F"	"ØG"
4"	Ø4	Ø9-1/2	6-5/8	10-1/2	Ø3/4	8	Ø7-1/2
6"	Ø6	Ø11-1/2	6-5/8	12-5/8	Ø7/8	8	Ø9-1/2
8"	Ø8	Ø14	6-5/8	15-1/2	Ø7/8	8	Ø11-1/2

NOTE:
DIMENSIONS EXPRESSED
IN INCHES.