



- 18", 20", 24" Sizes
- Acids & Caustic Services
- Fiberglass Construction
- API 650, ANSI 150 or DIN Flange Drilling
- Leakage Rate of ≤ 1 SCFH at 90% of Set Point
- 470 Derakane Std., 411 Derakane and Furan Available

The Shand & Jurs 94065 Emergency Vent and Manhole Cover (Pressure & Vacuum)

The Shand & Jurs FRP 94065 Series Manhole Cover is designed to provide emergency venting and vacuum relief of low-pressure storage tanks and vessels. These covers also provide quick, easy access for tank inspection and maintenance. When the tank is exposed to abnormal internal pressure or vacuum beyond the capability of the breather vent, the manhole protects the tank against costly rupture or implosion.

The Shand and Jurs FRP 94065 Series Manhole Cover provides an effective vapor-tight seal until pressure or vacuum relief is required to protect the tank. Under emergency fire conditions, the cover opens fully to allow escape of vapors and prevents damage to the tank. Under vacuum conditions, the spring-loaded vacuum vent will open to relieve excessive negative pressure.

CONSTRUCTION

STANDARD: Flange, Seat, and Pallets of Derakane 470 Vinyl Ester Resin. Hastelloy Spring, 316SS Hardware and Teflon® Air Cushioned Pallet Seating.

CUSTOM: Other resins are available to meet exact corrosion requirements, including 411 Derakane and Furan. Hastelloy and Monel hardware available.

FAST INSPECTION, EASY MAINTENANCE

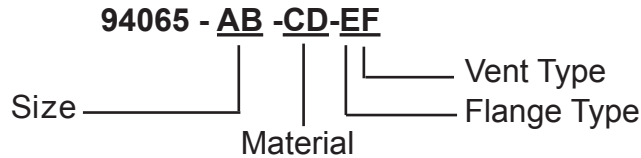
Unit's rugged and lightweight design provides for easy, convenient handling for installation, inspection and maintenance. The pressure cover is normally restrained to allow automatic reseating and to protect the vacuum vent mechanism. Disconnection of the retaining cords allows the pressure vent cover to be completely removed, thereby allowing access into the tank through the full diameter seat opening. Facilitates tank inspection and repair procedures.

MAINTAINS ACCURATE PRESSURE/VACUUM SETTINGS

Factory tested prior to shipment to meet Shand & Jurs high standards. Standard pressure setting of 3/4 oz/in² on all models. Standard vacuum relief setting is 1/2 oz/in². Higher settings are also available.

MODEL NUMBER SELECTION:

The model number will consist of a base number 94065 followed by three 2 digit numbers which represent the options listed in the following tables.



Specify:

1. Model 94065 Fiberglass Reinforced Plastic Manhole Cover
2. Type of Size
3. Type of Pressure and Vacuum Setting
4. Temperature Range
5. Flange Type

TABLE I - (AB) SIZE

OPTION # (AB)	SIZE (inches)
18	18"
20	20"
24	24"

TABLE III - (E) FLANGE TYPE

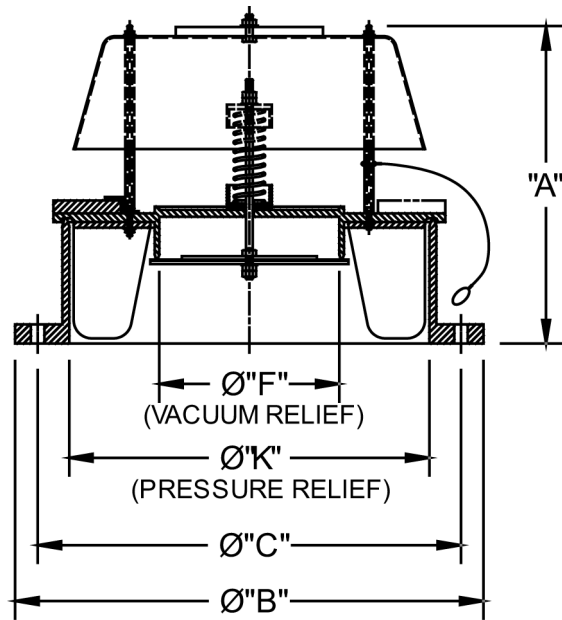
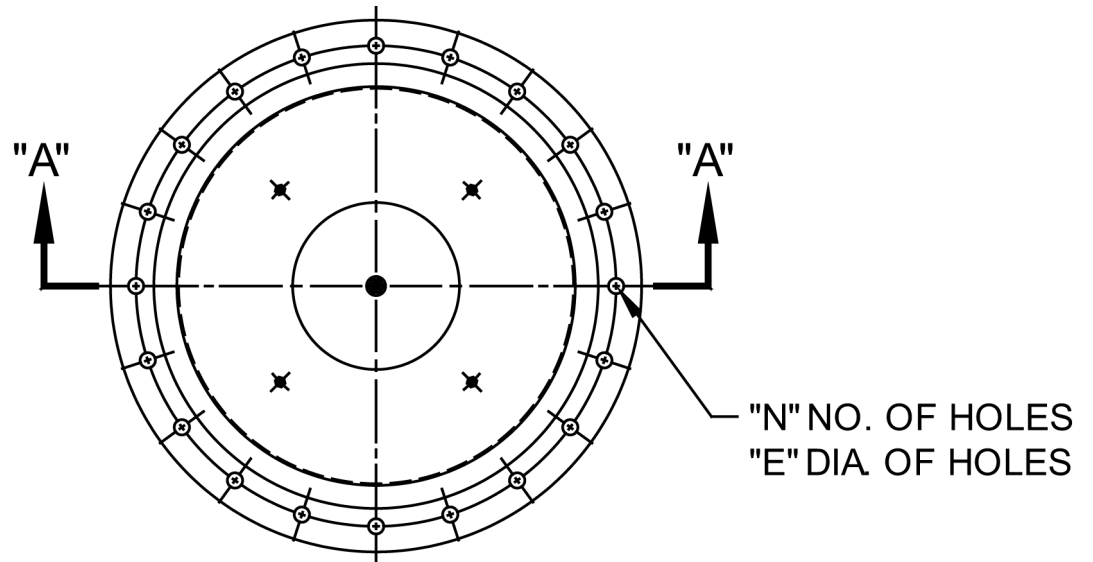
OPTION # (E)	FLANGE TYPE
0	ANSI 150#
1	DIN

TABLE II - (CD) MATERIAL

OPTION # (CD)	BODY MATERIAL
01	411 DERA KANE
02	470 DERA KANE
03	FURAN

TABLE III - (F) VENT TYPE

OPTION # (F)	PRESSURE/ VACUUM
1	OPEN



SIZE	"ØK"	"A"	"ØB"	"ØC"	"ØE"	"N"	"ØF"
20" API	20	17-1/4	26	23-1/2	3/4	16	9-15/16
20" ANSI	20	17-1/4	27-1/2	25	1-1/4	20	9-15/16
24" API	24	17-1/4	30	27-1/2	3/4	20	9-15/16
24" ANSI	24	17-1/4	32	29-1/2	1-3/8	20	9-15/16

Dimensions expressed in inches.