



- 16", 20", 24" Sizes
- Acids & Caustic Services
- Fiberglass Construction
- API 650, ANSI 150 or DIN Flange Drilling
- Leakage Rate of  $\leq 1$  SCFH at 90% of Set Point
- 470 Derakane Std., 411 Derakane and Furan Available

## The Shand & Jurs 94063 Fiberglass Reinforced Plastic Manhole Cover

The Shand & Jurs FRP 94063 Series Manhole Cover is designed to provide emergency venting relief of low-pressure storage tanks and vessels. These covers also provide quick, easy access for tank inspection and maintenance. When the tank is exposed to abnormal internal pressure beyond the capability of the breather vent, the manhole protects the tank against costly rupture.

The Shand & Jurs FRP 94063 Series Manhole Cover provides an effective vapor-tight seal until pressure relief is required to protect the tank. Under emergency fire conditions, the cover opens fully to allow escape of vapors and prevents damage to the tank.

### CONSTRUCTION

**STANDARD:** Flange, Seat, and Pallets of Derakane 470 Vinyl Ester Resin. Stainless Steel 316 Trim (Hastelloy optional) and Teflon® Air Cushioned Pallet Seating.

**CUSTOM:** Other resins, soft goods, and trim materials are available to meet exact corrosion requirements including 411 Derakane, Furan, and Hastelloy.

### FAST INSPECTION, EASY MAINTENANCE

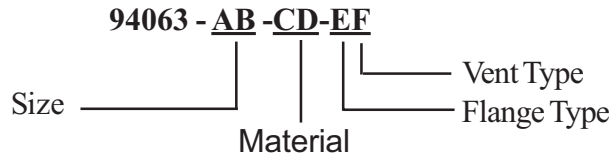
Unit's rugged and lightweight design provides for easy, convenient handling for installation, inspection and maintenance. The pressure cover is normally restrained to allow automatic reseating. Disconnection of the retaining cord allows the pressure vent cover to be completely removed, thereby allowing access into the tank through the full diameter seat opening. Facilitates tank inspection and repair procedures.

### MAINTAINS ACCURATE PRESSURE SETTING

Factory tested prior to shipment to meet Shand & Jurs high standards. Standard pressure setting of 3/4 oz/in<sup>2</sup> on all models. Higher settings are also available.

### MODEL NUMBER SELECTION:

The model number will consist of a base number 94063 followed by three 2 digit numbers which represent the options listed in the following tables.



Specify:

1. Model 94063 Fiberglass Reinforced Plastic Manhole Cover
2. Type of Size
3. Type of Pressure Setting
4. Temperature Range
5. Flange Type

**TABLE I SIZE (AB)**

OPTION # (AB)	SIZE (inches)
16	16"
20	20"
24	24"

**TABLE III FLANGE TYPE (E)**

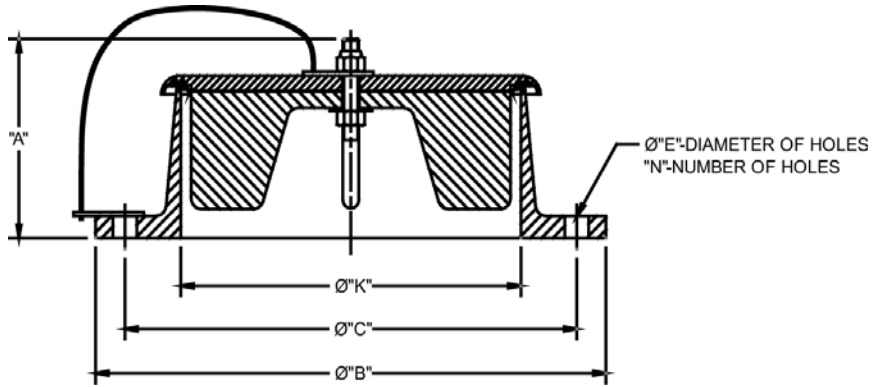
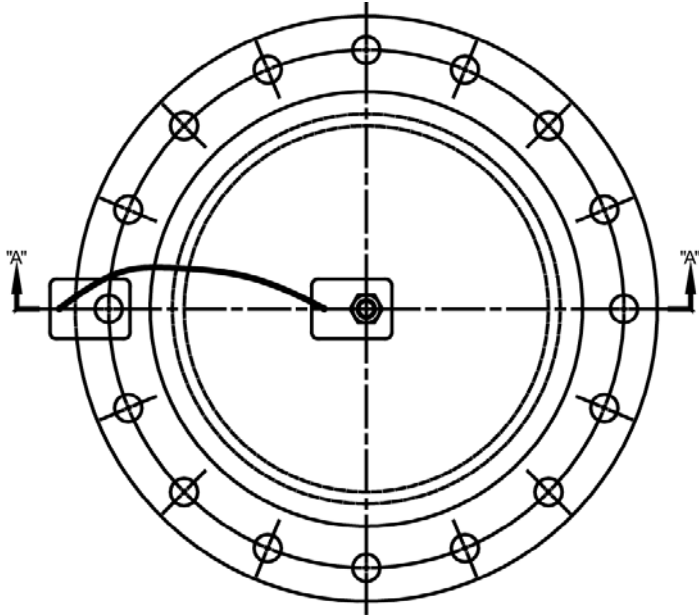
OPTION # (E)	FLANGE TYPE
0	ANSI 150#
1	DIN

**TABLE II MATERIAL (CD)**

OPTION # (CD)	BODY MATERIAL
01	411 DERAKANE
02	470 DERAKANE
03	FURAN

**TABLE III VENT TYPE (F)**

OPTION # (F)	PRESSURE
1	OPEN



SIZE	"A"	"ØK"	"ØC"	"ØB"	"ØE"	"N"
16" ANSI	9	16	21-1/4	23 1/2	1-1/8	16
20" API	9	20-1/2	23-1/2	26	3/4	16
20" ANSI	9	20-1/2	25	27-1/2	1-1/4	20
24" API	9	24	27-1/2	30	3/4	20
24" ANSI	9	24	29-1/2	32	1-3/8	20

**NOTE:**  
DIMENSIONS EXPRESSED IN INCHES.