



PRODUCT DATA SHEET

Models 663W, 664W, 666W & 668W
Single Actuator Welded Chamber
Mounted Switches

("W" Chamber)



**Factory Calibrated to each applications
Specific Gravity**

**Hydrostatically Tested at 1.5 times the
maximum design pressure**

Available in CS, 304SS, 316SS

UL & CSA Approved

The Omnitrol Models 663W, 664W, 666W & 668W Single Actuator Welded Chamber Mounted Switches

Models 663W, 664W, 666W, and 668W are single actuator controls. Each control is available with a wide variety of switches. These units are long welded chambers with nominal body diameters of 3" to 8". The long welded steel chamber totally encloses the solid graphite displacer (S.S. displacer optional). Connections are 1" NPT (flanged option). These units are sized to meet your specific gravity and switching differential needs. "W" chambers are also used for interface service and when a stainless steel displacer or special body length is required.

Pressure and temperature rating for these controls is 150 to 1500 psig at 500 °F. Special materials of construction available on request.

The standard specific gravity setting of the liquid is specified on Table A (reverse side). If the specific gravity of the liquid increases, the switching differential will decrease. If the specific gravity of the liquid decreases, the switching differential will increase. Consult the factory with the application if the specific gravity of the liquid varies more than 0.1 from the standard specific gravity setting.



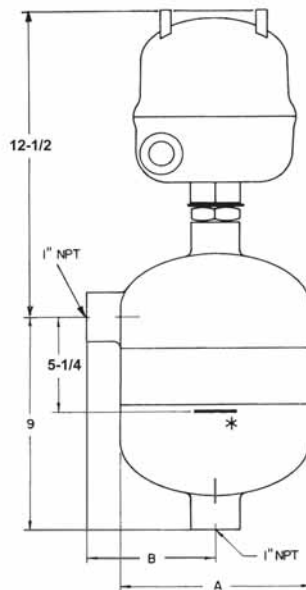
PRODUCT DATA SHEET

Models 663W, 664W, 666W & 668W

**Single Actuator Welded Chamber
Mounted Switches**

Model Number	Dimensions		Standard Specific Gravity Setting	Switching Differential At Standard Setting	Minimum Setting Available on Special Order
	A	B			
663	3-1/2	2-1/2	.80	2-5/8"	.70
664	4-1/2	3-1/2	.70	2-1/8"	.5
666	6-5/8	4-1/2	.45	7/8"	.35
668	8-5/8	5-1/2	.35	3/4"	.25

TABLE A



***Optional Flanged Connections**

All designs subject to change. Certified dimensions and specifications available upon request.

INFORMATION REQUIRED TO ORDER:

66(4,6,8)-D-E-F-G-H-I-J-K-L

Chamber Type/Material _____
 Displacer Material _____
 Switch Housing _____
 Max. Working Pressure _____
 Chamber Process Connection Size _____
 Switch Type _____
 Specific Gravity _____
 Chamber Connection Distance _____
 Specials _____



an L&J Technologies Company

5911 Butterfield Road, Hillside, Illinois 60162

E-mail: sales@ljtechnologies.com

Phone: (708) 236-6000

<http://www.ljtechnologies.com>

Fax: (708)236-6006

ISO 9001 Registered
PDS-OM66XW-2A