

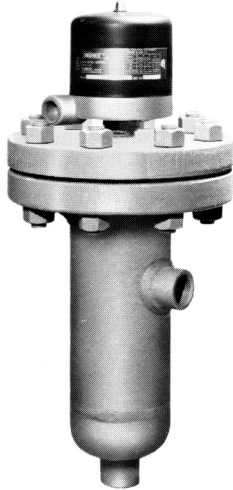


PRODUCT DATA SHEET

Model 664F, 666F & 668F

Single Actuator Flanged
Chamber Mounted Controls

("F" Chamber)



**Factory Calibrated to each applications
Specific Gravity**

**Hydrostatically Tested at 1.5 times the
maximum design pressure**

Available in CS, 304SS, 316SS

CSA and UL Approved

The Omnitrol Models 664F, 666F & 668F Single Actuator Flanged Chamber Mounted Controls

Models 664F, 666F and 668F are single actuated flanged chamber mounted switches. Each control is available with a wide variety of switches.

Switching differentials for standard specific gravity settings are shown in Table A on reverse side. Maximum specific gravity for these controls is 1.7.

The lower switching point of the actuator is 5-1/4" below the centerline of the horizontal connection of the chamber.

These models are available in various pressure

ranges shown in Table A. The desired pressure rating control is included in the model number.

These models have a single actuator and are available with graphite displacers.

Pressure and temperature rating for these controls is 1000 lbs. at 500° F. Special materials of construction are available upon request.

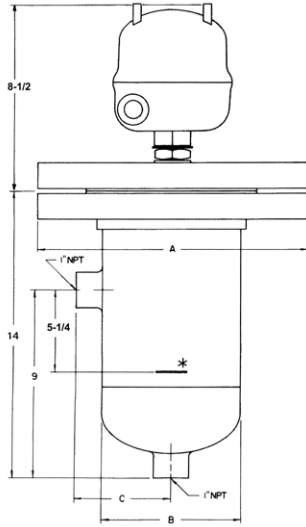
This series may be used for interface applications on special order. Consult factory and specify gravity of both liquids.



PRODUCT DATA SHEET

Model 664F, 666F & 668F

Single Actuator Flanged Chamber Mounted Controls



* **Optional Flanged Connections**
 * Lower Switching Point

Model Number	Standard Specific Gravity Setting	Switching Differential At Standard Setting	Minimum Setting Available on Special Order
664	.70	2-1/8"	.35
666	.45	7/8"	.35
668	.35	7/8"	.25

TABLE A

Model Number	Maximum Pressure Rating at 500F (PSIG) (Table "G")	Body Size (inches)	Dimensions		
			A	B	C
664	150	4	9	4-1/2	3-1/2
666	150	6	11	6-5/8	4-1/2
668	150	8	13-1/2	8-5/8	5-1/2
664	300	4	10	4-1/2	3-1/2
666	300	6	12-1/2	6-5/8	4-1/2
668	300	8	15	8-5/8	5-1/2
664	600	4	10	4-1/2	3-1/2
666	600	6	12-1/2	6-5/8	4-1/2
668	600	8	15	8-5/8	5-1/2
664	1000	4	10-3/4	4-1/2	3-1/2
666	1000	6	14	6-5/8	4-1/2
668	1000	8	16-1/2	8-5/8	5-1/2

All designs subject to change. Certified dimensions and specifications available upon request.

INFORMATION REQUIRED TO ORDER:

66(4,6,8)- DEF - GH - IJ - KL

Chamber Type/Material _____

Displacer Material _____

Switch Housing _____

Max. Working Pressure _____

Chamber Process Connection Size _____

Switch Type _____

Specific Gravity _____

Chamber Connection Distance _____

Specials _____