

Flexible Data Interface
Reliable Field Signal Conversions
Greater Data Security

The L&J Engineering MCG 3281 Low Profile Mini Field Interface

Standard Configuration

Provides L&J Tankway field interface to a host computer via RS232 Interface (standard). Other options are available. The 3281 simplifies connections to the user's network that provides communication to the entire L&J family of level gauging products which includes the MCG 2000SFI transmitter, the MCG 1600SFI radar gauge and the MCG 1500SFI servo gauge. The MCG 3281 is typically used to connect a computer running the MCG 3900 wingauge inventory management system software to a field of L&J level gauging equipment. Once connected, all of the enhanced functions enabled with the L&J smart flash infrared technology can be fully utilized. These functions include remote parameter configuration, software upgrades, extensive field diagnostics and internal transmitter specific diagnostics.

Applications

Expands MCG Inventory Management Systems

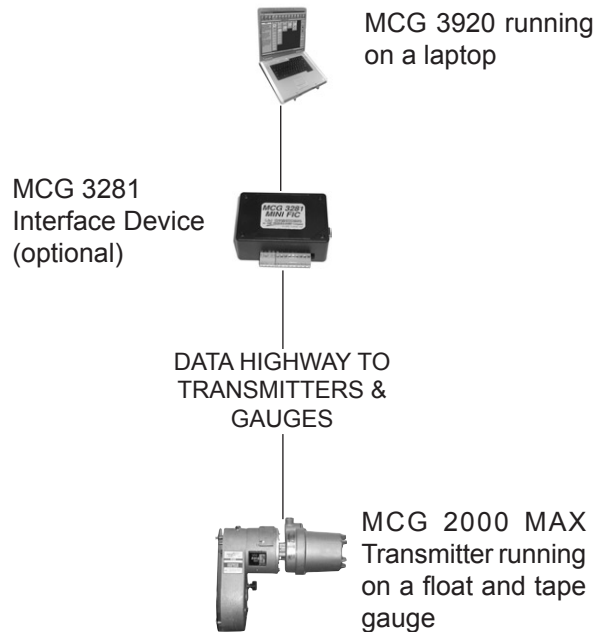
Communicates between L&J Field equipment and standard serial communications links

Used to take advantage of isolation and field splitting features

SPECIFICATIONS

Communication Ports Available:	1
Communication Options:	To computer- RS232C, USB To field- L&J 4 wire Tankway
Power Source Options:	110 VAC Standard 220 VAC Optional

TYPICAL CONFIGURATION



INFORMATION REQUIRED TO ORDER:

MCG 3281 - AB - CD - EF

POWER SUPPLY _____

FIELD INTERFACE OPTION _____

PC PORT OPTION _____

MODEL NUMBER SELECTION:

The model number has a base number, **MCG 3281** followed by 6 digits. These digits represent 3 sets of option tables.

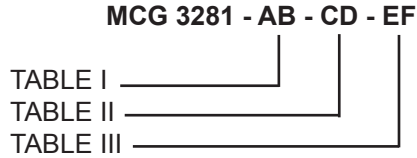


TABLE I - POWER SUPPLY

- 00 - Power Supply from Tankway
- 01 - 110VAC Input; Tankway 48VDC @ 220 mA Max (1-5 tanks typically)
- 02 - 220VAC Input; Tankway 48VDC @ 220 mA Max (1-5 tanks typically)
- 11 - 110VAC Input; Tankway 48VDC @ 1200 mA Max (6-25 tanks typically)
- 12 - 220VAC Input; Tankway 48VDC @ 1200 mA Max (6-25 tanks typically)

TABLE II - FIELD INTERFACE OPTION

- 01 - L&J Tankway
- 02 - RS 485

TABLE III - PC PORT OPTION

- 01 - RS 232
- 02 - USB
- 03 - RS 485